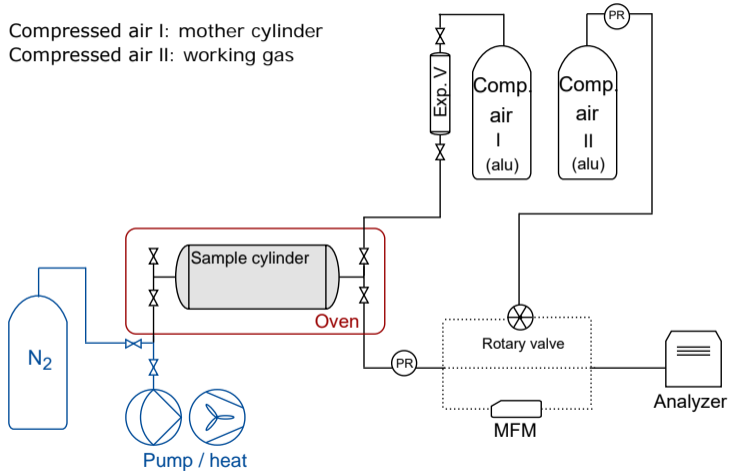


(a)

Compressed air I: mother cylinder
Compressed air II: working gas



(b)

Compressed air I: mother cylinder

