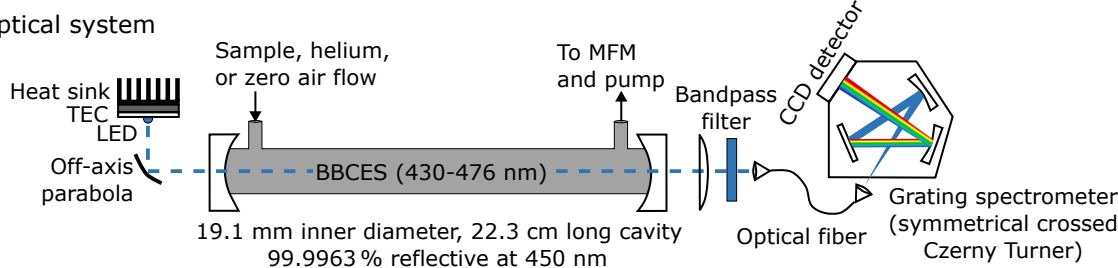
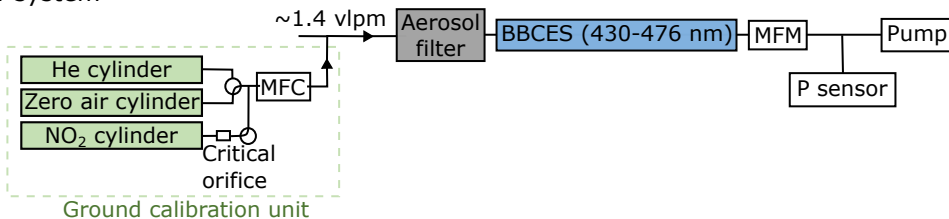


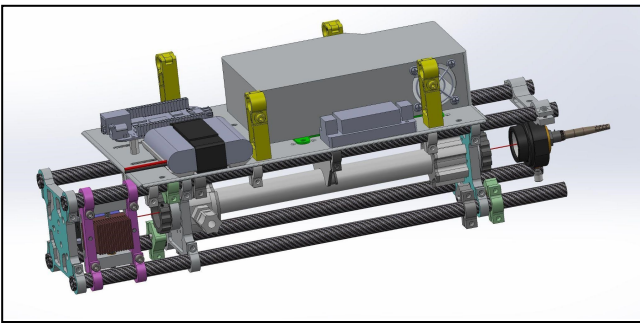
(a) Optical system



(b) Flow system



(c) Model



(d) Photograph

