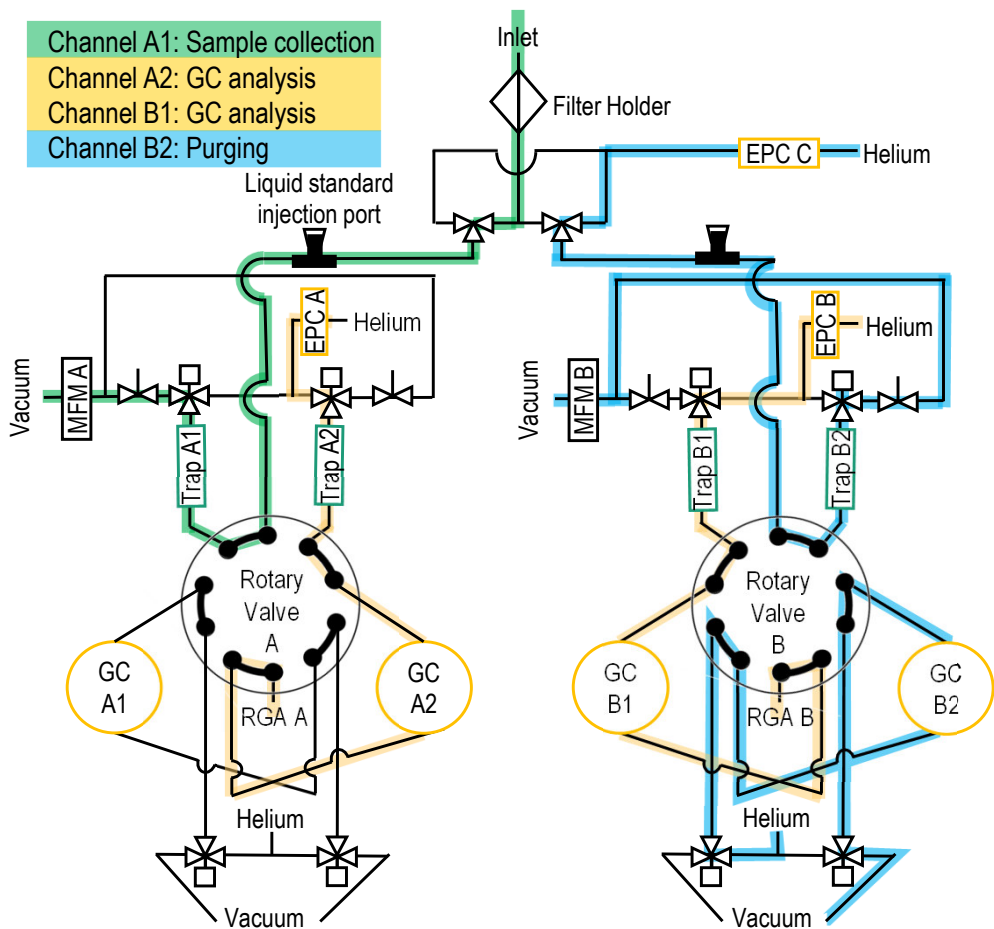





Channel A1: Sample collection

Channel A2: GC analysis

Channel B1: GC analysis

Channel B2: Purging



 Metering valve     3-way solenoid valve     Manifold mixing solenoid valve