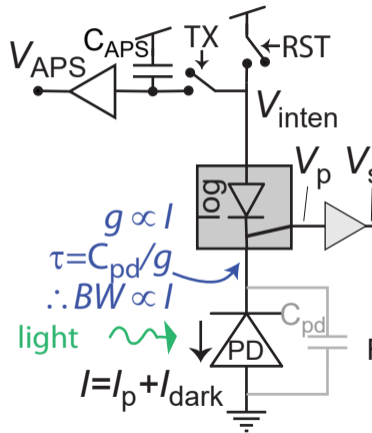
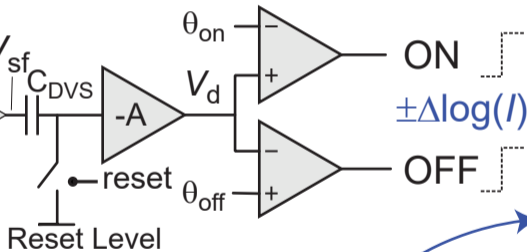


### C active pixel sensor intensity readout

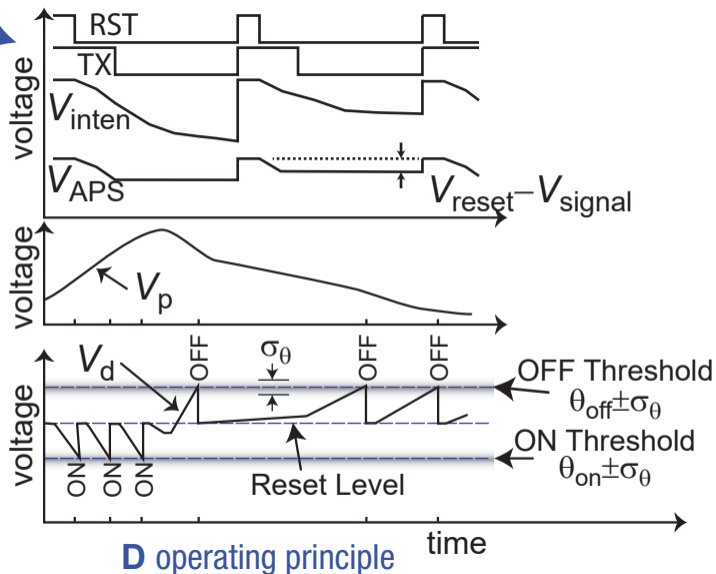


A photoreceptor

### DAVIS pixel circuit



B brightness change detector



D operating principle