

Clear scene

Cloud shadow scene

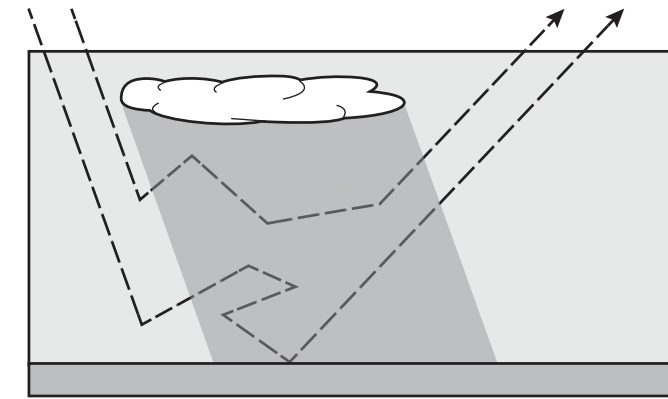
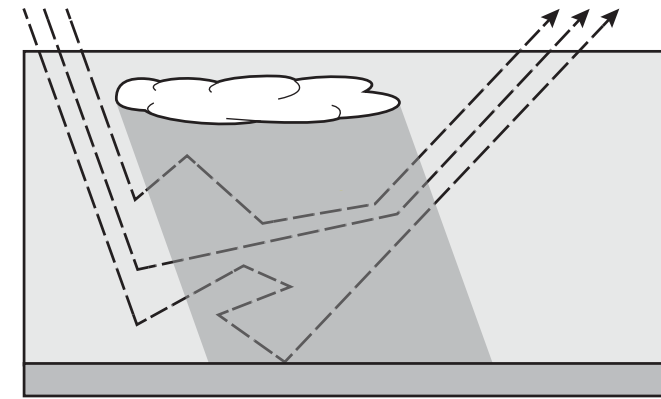
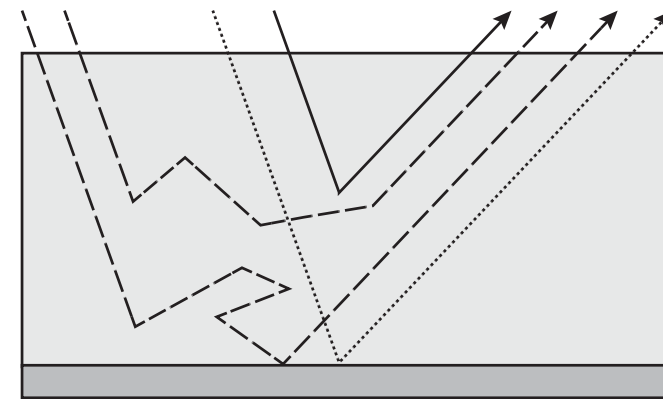
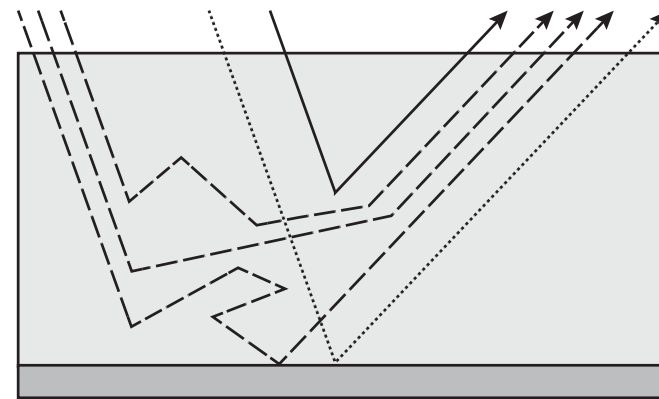
340 nm

380 nm

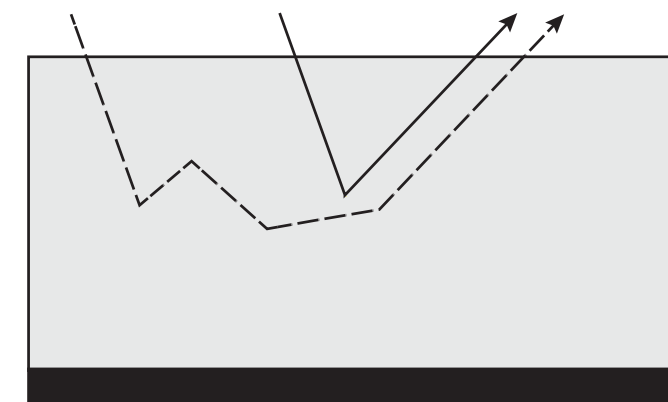
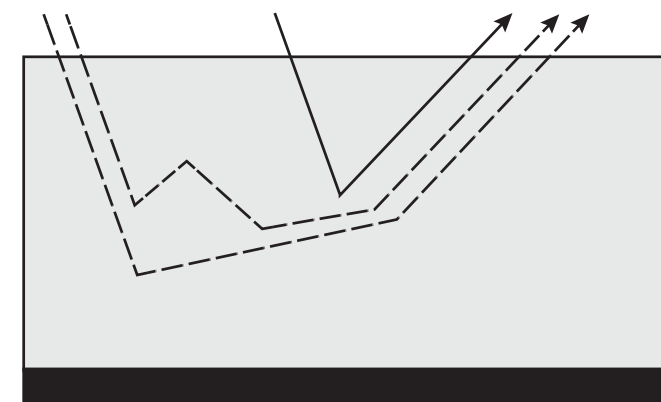
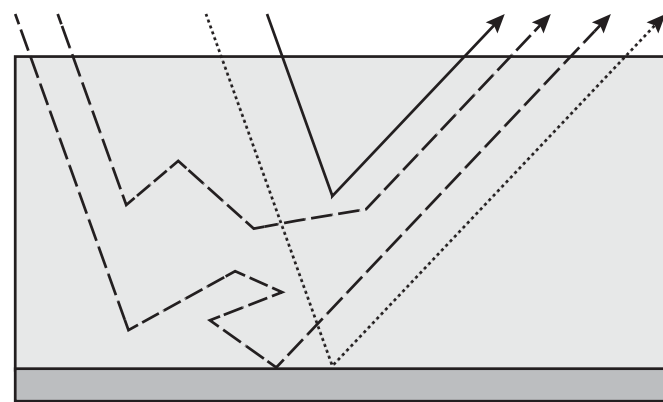
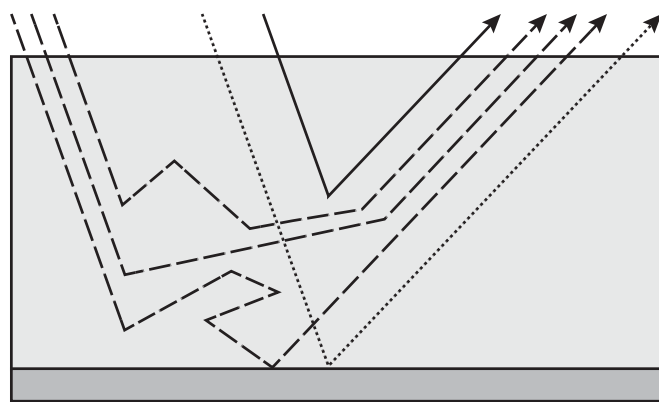
340 nm

380 nm

meas



calc



$$\left(\frac{R_{340}}{R_{380}}\right)^{\text{meas}} = \left(\frac{R_{340}}{R_{380}}\right)^{\text{calc}} > 1 \quad \text{AAI} = 0$$

$$\left(\frac{R_{340}}{R_{380}}\right)^{\text{meas}} \approx \left(\frac{R_{340}}{R_{380}}\right)^{\text{calc}} \gg 1 \quad \text{AAI} \approx 0$$