

Supplement of Atmos. Meas. Tech., 8, 2737–2748, 2015
<http://www.atmos-meas-tech.net/8/2737/2015/>
doi:10.5194/amt-8-2737-2015-supplement
© Author(s) 2015. CC Attribution 3.0 License.



Supplement of

Efficient photochemical generation of peroxy-carboxylic nitric anhydrides with ultraviolet light-emitting diodes

N. D. Rider et al.

Correspondence to: H. D. Osthoff (hosthoff@ucalgary.ca)

The copyright of individual parts of the supplement might differ from the CC-BY 3.0 licence.

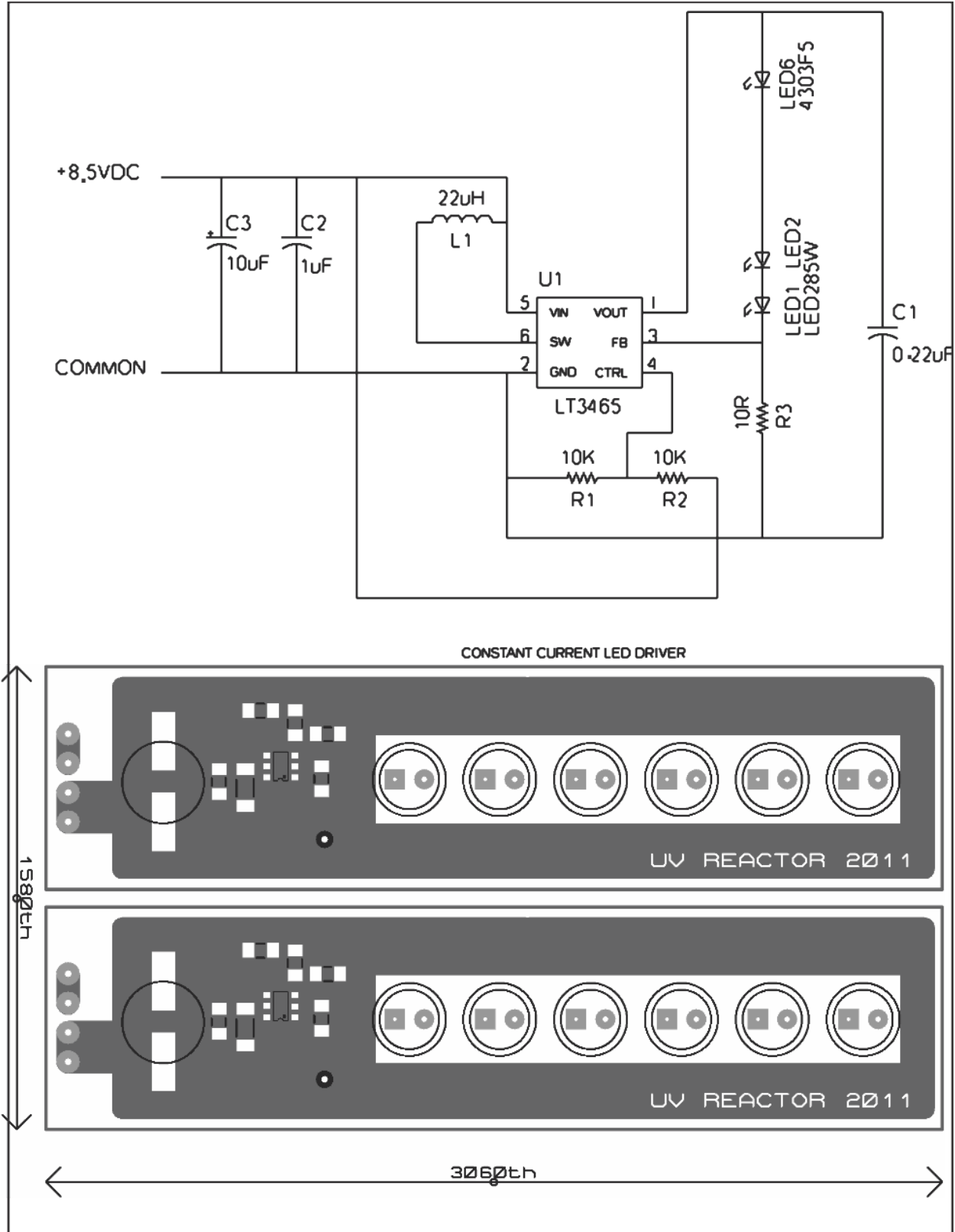


Figure S1. Electronic schematic of the UV-LED driver.

```

***** ;
* A citation to the MCM website and the relevant mechanism * ;
* construction protocols should be given in any publication using * ;
* information obtained from this source, using the following or * ;
* comparable wording: * ;
* The chemical mechanistic information was taken from the Master * ;
* Chemical Mechanism, MCM v3.2 (ref), via website: * ;
* http://mcm.leeds.ac.uk/MCM. * ;
* The reference should be: (Jenkin et al., Atmos. Environ., 31, 81, * ;
* 1997; Saunders et al., Atmos. Chem. Phys., 3, 161, 2003), for * ;
* non aromatic schemes; (Jenkin et al., Atmos. Chem. Phys., 3, * ;
* 181, 2003; Bloss et al., Atmos. Chem. Phys., 5, 641, 2005), for * ;
* aromatic schemes; and (Jenkin et al., Atmos. Chem. Phys., 12, * ;
* 5275, 2012), for the beta-caryophyllene scheme. * ;
***** ;
* MCM3.2 Subset generated for the following species: ;
* PAN PPN PIPN PPEN PBN C2H5CHO C3H7CO3 EIPK EIPKAO EIPKAOH EIPKAOOH ;
* EIPKBO EIPKBO2 EIPKAO2 EIPKBNO3 EIPKBOOH EIPKBOH DIEK DIEKAO ;
* DIEKAO2 DIEKBOOH DIEKBO2 DIEKBO DIEKBNO3 DIEKAOOH DIEKAOH DIEK2OO ;
* ACRPAN MPAN MACR CH3C2H2O2 MACO3H MACO3 MACO2H ;
* ;
* Variable definitions. All species are listed here.;
* ;

```

VARIABLE

```

C4PAN1 HO1C3O C4PAN4 HO2C3CO3 MEKCO CH3C2H2O2 ETHENO3O BUTALO2
CH3NO3 C2H5O2 NO3CH2CO2H C23C54CO3 MEKAOH CO3C4CO2H DIEKAOH BIACETO2
HOC2H4CO2H DIEKBNO3 HO1CO3C5 MACROHO2 O3 PAN CH3COCH2O IPROPOL
PERBUACID C6PAN7 HYPROPO ETHGLY EIPKAOOH MACROH C66OH HOC03C54O
HCOCH2CO3 MEKCOOH NBUTOLAO2 HCOCO3H C5CO234 C2H5CO3 HCOCO3 NC4H9NO3
HSO3 GLYPAN HCOCH2O2 NC3H7OOH CH3O NBUTOLAOH CO3C54CHO NBUTOLAOOH
IPROPOLPAN IBUDIALCO3 MACRO2 IC3H7NO3 BUTALO ACO3H PROPALOOH
IPRHOCO2H ETHOHNO3 ACO2H PPEN OH NBUTOL BIACETOH DIEKAO2 HOIPRCO3
PROPALO DIEKAOOH C2H5OH HCOOH HCOCO2H GLYOX ETHENO3O2 HYPERACET
CH3O2 HCHO CO3C54CO3 MEKCOH CHOMOHCO3H CH3OH MACROHOOH HOC3H6CO3
NPROPOL C5CO234O CO3C4CO3H HYPROPO2 CO23C5 NO2 NO3 C4PAN3 MACO3
CO23C54O2 N2O5 H2O2 IPROPOLPER NC4H9O HO1C4NO3 HOC3H6OH HOC03C5OOH
CO3C4CO3 PENTACID HO1C3NO3 NBUTOLBNO3 C3PAN2 C2H5O NBUTOLANO3
HOIPRCO2H HOCH2CO3 MACROHNO3 PROPACID O C5PAN16 CH2OOG C5CO234OOH
HOC2H4CO3H CH2OOA HO2C4OH BIACETO ACO3 PBN NC3H7O HO1C3O2 PROLNO3
HOCH2CO2H ACETOL CO23C4CO3H IC3H7O2 NBUTOLAO IPRHOCO3H H2 HOC03C54O2
C66O BUTALO2H CHOMOHCO3 NOA C66O2 BIACETOOH DIEKBOOH HO1C4O2 CH3OOH
HCOCH2O HCOCH2CO2H PRPAL2CO3H MEKCO2 EIPKBNO3 PERIBUACID C66OOH
EIPKAO2 CO2C3CO3 PROPGLY IPROPOL2H CHOMOH PAN PERPROACID EIPKBOOH
MACROOH C5PAN9 IBUDIALPAN O1D HOC2H4CO3 CO2C3PAN CO3C4CHO IC3H7OOH
ETHO2HNO3 CH3CHO HO2NO2 C2H5OOH IBUTACID CH3CHOHCHO C2H4 C6PAN6
CO23C4CHO EIPKBO NO NO3CH2CO3 NA BUTACID EIPKBOH PHAN NO3CH2CHO
C4PAN5 HO1C4OOH NC4H9OOH CH3COCH3 PIPN MACO2H EGLYOX CH3CO2H
HO1C3OOH MGLYOO CO23C4CO3 PERPENACID CO NC3H7NO3 EIPK CO2C3CHO
C23C54CHO HOIPRCO3H CO23C54OOH HOC3H6CO3H ACRPAN C4H9CO3 NO3CH2PAN
EIPKBO2 MGLYOX HOCH2CH2O CO23C3CHO IC3H7O NBUTOLBO PROPALO2 NC3H7O2
HOCH2CO3H HOC4H8OH CO23C54O HCOCH2CO3H C66CO CH2OO HO14CO3C5 HONO
EIPKAOH SA HO1CO34C5 NBUTOLBO2 HOCH2CHO C2H5CHO PROPOLNO3 C3H7CHO
C2H5NO3 PRPAL2CO2H NO3CH2CO3H C5CO234O2 HO2C3CO2H HCOCH2OOH
CO2C3CO3H C23C54CO3H HOC3H6CHO IPRHOCO3 PPN HOC2H4CHO HYPROPO2H

```

DIEKAO HO2 C3H7CO3 IPRCO3 HOC3H6CO2H IPROPOLO MACR HO1C4O
HOCH2CH2O2 MACRO C3PAN1 MACROHO MGLYOOB SO3 SO2 IPROPOLO2 CH3CO3
CO3C54CO3H HO2C3CO3H NBUTOLBOOH DIEKBO2 HO2C3CHO HNO3 BUTALNO3
EIPKAO MPAN DIEK CH3O2NO2 CH3CHOHCO3 NC4H9O2 HYETHO2H IBUTALOH
C3MDIALOH CH3COCH2O2 MACO3H CH3CO3H DIEKBO ;

***** ;

*;

* Generic Rate Coefficients ;

*;

KRO2NO = 2.7D-12*EXP(360/TEMP) ;
KRO2HO2 = 2.91D-13*EXP(1300/TEMP) ;
KAPHO2 = 5.2D-13*EXP(980/TEMP) ;
KAPNO = 7.5D-12*EXP(290/TEMP) ;
KRO2NO3 = 2.3D-12 ;
KNO3AL = 1.4D-12*EXP(-1860/TEMP) ;
KDEC = 1.00D+06 ;
KROPRIM = 2.50D-14*EXP(-300/TEMP) ;
KROSEC = 2.50D-14*EXP(-300/TEMP) ;
KCH3O2 = 1.03D-13*EXP(365/TEMP) ;
K298CH3O2 = 3.5D-13 ;

*;

* Complex reactions ;

*;

KD0 = 4.90D-3*EXP(-12100/TEMP)*M ;
KDI = 5.4D+16*EXP(-13830/TEMP) ;
KRD = KD0/KDI ;
FCD = 0.30 ;
NCD = 0.75-1.27*(LOG10(FCD)) ;
FD = 10@(LOG10(FCD)/(1+(LOG10(KRD)/NCD)**2)) ;
KBPAN = (KD0*KDI)*FD/(KD0+KDI) ;
KC0 = 2.7D-28*M*(TEMP/300)@-7.1 ;
KCI = 1.2D-11*(TEMP/300)@-0.9 ;
KRC = KC0/KCI ;
FCC = 0.30 ;
NC = 0.75-1.27*(LOG10(FCC)) ;
FC = 10@(LOG10(FCC)/(1+(LOG10(KRC)/NC)**2)) ;
KFPAN = (KC0*KCI)*FC/(KC0+KCI) ;
K10 = 1.0D-31*M*(TEMP/300)@-1.6 ;
K1I = 3.00D-11*(TEMP/300)@0.3 ;
KR1 = K10/K1I ;
FC1 = 0.85 ;
NC1 = 0.75-1.27*(LOG10(FC1)) ;
F1 = 10@(LOG10(FC1)/(1+(LOG10(KR1)/NC1)**2)) ;
KMT01 = (K10*K1I)*F1/(K10+K1I) ;
K20 = 1.3D-31*M*(TEMP/300)@-1.5 ;
K2I = 2.3D-11*(TEMP/300)@0.24 ;
KR2 = K20/K2I ;
FC2 = 0.6 ;
NC2 = 0.75-1.27*(LOG10(FC2)) ;
F2 = 10@(LOG10(FC2)/(1+(LOG10(KR2)/NC2)**2)) ;
KMT02 = (K20*K2I)*F2/(K20+K2I) ;
K30 = 3.6D-30*M*(TEMP/300)@-4.1 ;
K3I = 1.9D-12*(TEMP/300)@0.2 ;
KR3 = K30/K3I ;
FC3 = 0.35 ;

```

NC3 = 0.75-1.27*(LOG10(FC3)) ;
F3 = 10@(LOG10(FC3)/(1+(LOG10(KR3)/NC3)**2)) ;
KMT03 = (K30*K3I)*F3/(K30+K3I) ;
K40 = 1.3D-3*M*(TEMP/300)@-3.5*EXP(-11000/TEMP) ;
K4I = 9.7D+14*(TEMP/300)@0.1*EXP(-11080/TEMP) ;
KR4 = K40/K4I ;
FC4 = 0.35 ;
NC4 = 0.75-1.27*(LOG10(FC4)) ;
F4 = 10@(LOG10(FC4)/(1+(LOG10(KR4)/NC4)**2)) ;
KMT04 = (K40*K4I)*F4/(K40+K4I) ;
KMT05 = 1.44D-13*(1+(M/4.2D+19)) ;
KMT06 = 1 + (1.40D-21*EXP(2200/TEMP)*H2O) ;
K70 = 7.4D-31*M*(TEMP/300)@-2.4 ;
K7I = 3.3D-11*(TEMP/300)@-0.3 ;
KR7 = K70/K7I ;
FC7 = EXP(-TEMP/1420) ;
NC7 = 0.75-1.27*(LOG10(FC7)) ;
F7 = 10@(LOG10(FC7)/(1+(LOG10(KR7)/NC7)**2)) ;
KMT07 = (K70*K7I)*F7/(K70+K7I) ;
K80 = 3.3D-30*M*(TEMP/300)@-3.0 ;
K8I = 4.1D-11 ;
KR8 = K80/K8I ;
FC8 = 0.4 ;
NC8 = 0.75-1.27*(LOG10(FC8)) ;
F8 = 10@(LOG10(FC8)/(1+(LOG10(KR8)/NC8)**2)) ;
KMT08 = (K80*K8I)*F8/(K80+K8I) ;
K90 = 1.8D-31*M*(TEMP/300)@-3.2 ;
K9I = 4.7D-12 ;
KR9 = K90/K9I ;
FC9 = 0.6 ;
NC9 = 0.75-1.27*(LOG10(FC9)) ;
F9 = 10@(LOG10(FC9)/(1+(LOG10(KR9)/NC9)**2)) ;
KMT09 = (K90*K9I)*F9/(K90+K9I) ;
K100 = 4.10D-05*M*EXP(-10650/TEMP) ;
K10I = 4.8D+15*EXP(-11170/TEMP) ;
KR10 = K100/K10I ;
FC10 = 0.6 ;
NC10 = 0.75-1.27*(LOG10(FC10)) ;
F10 = 10@(LOG10(FC10)/(1+(LOG10(KR10)/NC10)**2)) ;
KMT10 = (K100*K10I)*F10/(K100+K10I) ;
K1 = 2.40D-14*EXP(460/TEMP) ;
K3 = 6.50D-34*EXP(1335/TEMP) ;
K4 = 2.70D-17*EXP(2199/TEMP) ;
K2 = (K3*M)/(1+(K3*M/K4)) ;
KMT11 = K1 + K2 ;
K120 = 4.5D-31*M*(TEMP/300)@-3.9 ;
K12I = 1.3D-12*(TEMP/300)@-0.7 ;
KR12 = K120/K12I ;
FC12 = 0.525 ;
NC12 = 0.75-1.27*(LOG10(FC12)) ;
F12 = 10@(LOG10(FC12)/(1.0+(LOG10(KR12)/NC12)**2)) ;
KMT12 = (K120*K12I)*F12/(K120+K12I) ;
K130 = 2.5D-30*M*(TEMP/300)@-5.5 ;
K13I = 1.8D-11 ;
KR13 = K130/K13I ;

```

```

FC13 = 0.36 ;
NC13 = 0.75-1.27*(LOG10(FC13)) ;
F13 = 10@(LOG10(FC13)/(1+(LOG10(KR13)/NC13)**2)) ;
KMT13 = (K130*K13I)*F13/(K130+K13I) ;
K140 = 9.0D-5*EXP(-9690/TEMP)*M ;
K14I = 1.1D+16*EXP(-10560/TEMP) ;
KR14 = K140/K14I ;
FC14 = 0.4 ;
NC14 = 0.75-1.27*(LOG10(FC14)) ;
F14 = 10@(LOG10(FC14)/(1+(LOG10(KR14)/NC14)**2)) ;
KMT14 = (K140*K14I)*F14/(K140+K14I) ;
K150 = 8.6D-29*M*(TEMP/300)^-3.1 ;
K15I = 9.0D-12*(TEMP/300)^-0.85 ;
KR15 = K150/K15I ;
FC15 = 0.48 ;
NC15 = 0.75-1.27*(LOG10(FC15)) ;
F15 = 10@(LOG10(FC15)/(1+(LOG10(KR15)/NC15)**2)) ;
KMT15 = (K150*K15I)*F15/(K150+K15I) ;
K160 = 8D-27*M*(TEMP/300)^-3.5 ;
K16I = 3.0D-11*(TEMP/300)^-1 ;
KR16 = K160/K16I ;
FC16 = 0.5 ;
NC16 = 0.75-1.27*(LOG10(FC16)) ;
F16 = 10@(LOG10(FC16)/(1+(LOG10(KR16)/NC16)**2)) ;
KMT16 = (K160*K16I)*F16/(K160+K16I) ;
K170 = 5.0D-30*M*(TEMP/300)^-1.5 ;
K17I = 1.0D-12 ;
KR17 = K170/K17I ;
FC17 = 0.17*EXP(-51/TEMP)+EXP(-TEMP/204) ;
NC17 = 0.75-1.27*(LOG10(FC17)) ;
F17 = 10@(LOG10(FC17)/(1.0+(LOG10(KR17)/NC17)**2)) ;
KMT17 = (K170*K17I)*F17/(K170+K17I) ;
KMT18 = 9.5D-39*O2*EXP(5270/TEMP)/(1+7.5D-29*O2*EXP(5610/TEMP)) ;
KPPN0 = 1.7D-03*EXP(-11280/TEMP)*M ;
KPPNI = 8.3D+16*EXP(-13940/TEMP) ;
KRPPN = KPPN0/KPPNI ;
FCPPN = 0.36 ;
NCPPN = 0.75-1.27*(LOG10(FCPPN)) ;
* ;
* next expression changed due to typo ;
* ;
FPPN = 10@(LOG10(FCPPN)/(1+(LOG10(KRPPN)/NCPPN)**2)) ;
KBPPN = (KPPN0*KPPNI)*FCPPN/(KPPN0+KPPNI) ;
***** ;
* ;
* Peroxy radicals. ;
* ;
* WARNING: The following species do not have SMILES strings in the database. ;
*           If any of these are peroxy radicals the RO2 sum will be wrong!!! ;
***** ;
* ;
RO2 = CH3CO3 + C2H5CO3 + IPRCO3 + C4H9CO3 + C3H7CO3 + C2H5O2 + NC3H7O2
      + IC3H7O2 + EIPKA02 + EIPKBO2 + C66O2 + HYPROPO2 + DIEKA02 +
      DIEKBO2 + HOCO3C54O2 + ACO3 + MACO3 + CH3C2H2O2 + MACRO2 +
      MACROHO2 + CH3O2 + HCOCH2O2 + CH3COCH2O2 + BUTALO2 + NC4H9O2 +

```

CO3C54CO3 + CO23C54O2 + MEKCO2 + CO3C4CO3 + HOCH2CH2O2 + HOCH2CO3
+ ETHENO3O2 + HO1C3O2 + IPROPOLO2 + HOIPRCO3 + HOC2H4CO3 + HCOCO3
+ CHOMOHC03 + CO2C3CO3 + HO2C3CO3 + HO1C4O2 + NBUTOLAO2 +
NBUTOLBO2 + IBUDIALCO3 + C23C54CO3 + CH3CHOHC03 + BIACETO2 +
HCOCH2CO3 + CO23C4CO3 + IPRHOCO3 + NO3CH2CO3 + PROPALO2 +
HOC3H6CO3 + C5CO234O2 ;

*;

* Reaction definitions. ;

*;

% 5.6D-34*N2*(TEMP/300)@-2.6*O2 : O = O3 ;
% 6.0D-34*O2*(TEMP/300)@-2.6*O2 : O = O3 ;
% 8.0D-12*EXP(-2060/TEMP) : O + O3 = ;
% KMT01 : O + NO = NO2 ;
% 5.5D-12*EXP(188/TEMP) : O + NO2 = NO ;
% KMT02 : O + NO2 = NO3 ;
% 3.2D-11*EXP(67/TEMP)*O2 : O1D = O ;
% 2.0D-11*EXP(130/TEMP)*N2 : O1D = O ;
% 1.4D-12*EXP(-1310/TEMP) : NO + O3 = NO2 ;
% 1.4D-13*EXP(-2470/TEMP) : NO2 + O3 = NO3 ;
% 3.3D-39*EXP(530/TEMP)*O2 : NO + NO = NO2 + NO2 ;
% 1.8D-11*EXP(110/TEMP) : NO + NO3 = NO2 + NO2 ;
% 4.5D-14*EXP(-1260/TEMP) : NO2 + NO3 = NO + NO2 ;
% KMT03 : NO2 + NO3 = N2O5 ;
% 2.14D-10*H2O : O1D = OH + OH ;
% 1.7D-12*EXP(-940/TEMP) : OH + O3 = HO2 ;
% 7.7D-12*EXP(-2100/TEMP) : OH + H2 = HO2 ;
% KMT05 : OH + CO = HO2 ;
% 2.9D-12*EXP(-160/TEMP) : OH + H2O2 = HO2 ;
% 2.03D-16*(TEMP/300)@4.57*EXP(693/TEMP) : HO2 + O3 = OH ;
% 4.8D-11*EXP(250/TEMP) : OH + HO2 = ;
% 2.2D-13*KMT06*EXP(600/TEMP) : HO2 + HO2 = H2O2 ;
% 1.9D-33*M*KMT06*EXP(980/TEMP) : HO2 + HO2 = H2O2 ;
% KMT07 : OH + NO = HONO ;
% KMT08 : OH + NO2 = HNO3 ;
% 2.0D-11 : OH + NO3 = HO2 + NO2 ;
% 3.45D-12*EXP(270/TEMP) : HO2 + NO = OH + NO2 ;
% KMT09 : HO2 + NO2 = HO2NO2 ;
% 3.2D-13*EXP(690/TEMP)*1.0 : OH + HO2NO2 = NO2 ;
% 4.0D-12 : HO2 + NO3 = OH + NO2 ;
% 2.5D-12*EXP(260/TEMP) : OH + HONO = NO2 ;
% KMT11 : OH + HNO3 = NO3 ;
% 4.0D-32*EXP(-1000/TEMP)*M : O + SO2 = SO3 ;
% KMT12 : OH + SO2 = HSO3 ;
% 1.3D-12*EXP(-330/TEMP)*O2 : HSO3 = HO2 + SO3 ;
% 6.0D-06 : HNO3 = NA ;
% 4.0D-04 : N2O5 = NA + NA ;
% 1.2D-15*H2O : SO3 = SA ;
% J<1> : O3 = O1D ;
% J<2> : O3 = O ;
% J<3> : H2O2 = OH + OH ;
% J<4> : NO2 = NO + O ;
% J<5> : NO3 = NO ;
% J<6> : NO3 = NO2 + O ;
% J<7> : HONO = OH + NO ;
% J<8> : HNO3 = OH + NO2 ;

```

% KMT04 : N2O5 = NO2 + NO3 ;
% KMT10 : HO2NO2 = HO2 + NO2 ;
% 3D-14 : PAN + OH = HCHO + CO + NO2 ;
% KBPAN : PAN = CH3CO3 + NO2 ;
% 1.27D-12 : PPN + OH = CH3CHO + CO + NO2 ;
% KBPPN : PPN = C2H5CO3 + NO2 ;
% 2.66D-12 : PIPN + OH = CH3COCH3 + CO + NO2 ;
* ;
* next rxn modified by HDO to make PIPN decomp rate same as PPN ;
* ;
% KBPPN : PIPN = IPRCO3 + NO2 ;
% 6.85D-12 : PPEN + OH = C3H7CHO + CO + NO2 ;
% KBPAN : PPEN = C4H9CO3 + NO2 ;
% 4.70D-12 : PBN + OH = C2H5CHO + CO + NO2 ;
% KBPAN : PBN = C3H7CO3 + NO2 ;
% 3.24D-12*EXP(-1860/TEMP) : C2H5CHO + NO3 = C2H5CO3 + HNO3 ;
% 4.9D-12*EXP(405/TEMP) : C2H5CHO + OH = C2H5CO3 ;
% J<14> : C2H5CHO = C2H5O2 + HO2 + CO ;
% KAPHO2*0.15 : C3H7CO3 + HO2 = BUTACID + O3 ;
% KAPHO2*0.44 : C3H7CO3 + HO2 = NC3H7O2 + OH ;
% KAPHO2*0.41 : C3H7CO3 + HO2 = PERBUACID ;
% KAPNO : C3H7CO3 + NO = NO2 + NC3H7O2 ;
% KFPAN : C3H7CO3 + NO2 = PBN ;
% KRO2NO3*1.74 : C3H7CO3 + NO3 = NC3H7O2 + NO2 ;
% 1.00D-11*0.3*RO2 : C3H7CO3 = BUTACID ;
% 1.00D-11*0.7*RO2 : C3H7CO3 = NC3H7O2 ;
* ;
* next reaction modified by HDO to convert EIPK into DIPK ;
* ;
% J<22> : EIPK = IPRCO3 + IC3H7O2 ;
% 3.75D-12*0.578 : OH + EIPK = EIPKAO2 ;
% 3.75D-12*0.422 : OH + EIPK = EIPKBO2 ;
* ;
* next 2 rxns modified by HDO to convert EIPK into DIPK ;
* ;
% KDEC : EIPKAO = CH3COCH3 + IPRCO3 ;
% J<22> : EIPKAOH = IPRCO3 + CH3COCH3 + HO2 ;
% 2.43D-12 : OH + EIPKAOH = EIPKAO ;
* ;
* next rxn modified by HDO to convert EIPK into DIPK ;
* ;
% J<22> : EIPKAOOH = IPRCO3 + CH3COCH3 + OH ;
% J<41> : EIPKAOOH = EIPKAO + OH ;
% 5.89D-12 : OH + EIPKAOOH = EIPKAO2 ;
% 1.15D+11*EXP(-3430/TEMP) : EIPKBO = C66O2 ;
% KRO2HO2*0.770 : EIPKBO2 + HO2 = EIPKBOOH ;
% KRO2NO*0.078 : EIPKBO2 + NO = EIPKBNO3 ;
% KRO2NO*0.922 : EIPKBO2 + NO = EIPKBO + NO2 ;
% KRO2NO3 : EIPKBO2 + NO3 = EIPKBO + NO2 ;
% 1.30D-12*0.2*RO2 : EIPKBO2 = CO3C54CHO ;
% 1.30D-12*0.6*RO2 : EIPKBO2 = EIPKBO ;
% 1.30D-12*0.2*RO2 : EIPKBO2 = EIPKBOH ;
% KRO2HO2*0.770 : EIPKAO2 + HO2 = EIPKAOOH ;
% KRO2NO : EIPKAO2 + NO = EIPKAO + NO2 ;
% KRO2NO3 : EIPKAO2 + NO3 = EIPKAO + NO2 ;

```



```

% 9.20D-14*0.7*RO2 : EIPKAO2 = EIPKAO ;
% 9.20D-14*0.3*RO2 : EIPKAO2 = EIPKAOH ;
% J<53> : EIPKBNO3 = EIPKBO + NO2 ;
% J<22> : EIPKBNO3 = EIPKBO + NO2 ;
% 2.20D-12 : OH + EIPKBNO3 = CO3C54CHO + NO2 ;
% J<41> : EIPKBOOH = EIPKBO + OH ;
% J<22> : EIPKBOOH = EIPKBO + OH ;
% 3.77D-11 : OH + EIPKBOOH = CO3C54CHO + OH ;
* ;
* next rxn modified by HDO to convert EIPK into DIPK ;
* ;
% J<22> : EIPKBOH = IPRCO3 + HYPROPO2 ;
% 1.64D-11 : OH + EIPKBOH = CO3C54CHO + HO2 ;
% 2.00D-12*0.501 : DIEK + OH = DIEKAO2 ;
% 2.00D-12*0.499 : DIEK + OH = DIEKBO2 ;
* ;
* next rxn modified by HDO to correct typo ;
* ;
% J<22> : DIEK = C2H5CO3 + C2H5O2 ;
% KDEC : DIEKAO = CH3CHO + C2H5CO3 ;
% KRO2HO2*0.706 : DIEKAO2 + HO2 = DIEKAOOH ;
% KRO2NO : DIEKAO2 + NO = DIEKAO + NO2 ;
% KRO2NO3 : DIEKAO2 + NO3 = DIEKAO + NO2 ;
% 8.80D-13*0.2*RO2 : DIEKAO2 = CO23C5 ;
% 8.80D-13*0.6*RO2 : DIEKAO2 = DIEKAO ;
% 8.80D-13*0.2*RO2 : DIEKAO2 = DIEKAOH ;
% 5.36D-11 : DIEKBOOH + OH = CO3C4CHO + OH ;
% 1.90D-12*EXP(190/TEMP) : DIEKBOOH + OH = DIEKBO2 ;
% J<41> : DIEKBOOH = DIEKBO + OH ;
% J<22> : DIEKBOOH = DIEKBO + OH ;
% KRO2HO2*0.706 : DIEKBO2 + HO2 = DIEKBOOH ;
% KRO2NO*0.052 : DIEKBO2 + NO = DIEKBNO3 ;
% KRO2NO*0.948 : DIEKBO2 + NO = DIEKBO + NO2 ;
% KRO2NO3 : DIEKBO2 + NO3 = DIEKBO + NO2 ;
% 2.00D-12*0.2*RO2 : DIEKBO2 = CO3C4CHO ;
% 2.00D-12*0.6*RO2 : DIEKBO2 = DIEKBO ;
% 2.00D-12*0.2*RO2 : DIEKBO2 = HO1CO3C5 ;
% 8.40D+10*EXP(-2567/TEMP) : DIEKBO = HOCO3C54O2 ;
% 2.13D-12 : DIEKBNO3 + OH = CO3C4CHO + NO2 ;
% J<22> : DIEKBNO3 = DIEKBO + NO2 ;
% J<53> : DIEKBNO3 = DIEKBO + NO2 ;
% 2.00D-11 : DIEKAOOH + OH = CO23C5 + OH ;
% 1.90D-12*EXP(190/TEMP) : DIEKAOOH + OH = DIEKAO2 ;
% J<22> : DIEKAOOH = CH3CHO + C2H5CO3 + OH ;
% J<41> : DIEKAOOH = DIEKAO + OH ;
% 1.02D-11 : DIEKAOH + OH = CO23C5 ;
% J<22> : DIEKAOH = CH3CHO + C2H5CO3 ;
% KBPAN : ACRPAN = ACO3 + NO2 ;
% 8.63D-12 : OH + ACRPAN = HOCH2CHO + CO + NO2 ;
% 1.6D+16*EXP(-13500/TEMP) : MPAN = MACO3 + NO2 ;
% 8.2D-18 : O3 + MPAN = HCHO + CH3CO3 + NO3 ;
% 2.9D-11 : OH + MPAN = ACETOL + CO + NO2 ;
% J<18> : MACR = CH3C2H2O2 + CO + HO2 ;
% J<19> : MACR = MACO3 + HO2 ;
% J<21> : CH3COCH3 = CH3CO3 + CH3O2 ;

```

% 3.4D-15 : $\text{NO}_3 + \text{MACR} = \text{MACO}_3 + \text{HNO}_3$;
 % 1.4D-15* $\text{EXP}(-2100/\text{TEMP})$ *0.12 : $\text{O}_3 + \text{MACR} = \text{HCHO} + \text{MGLYOOB}$;
 % 1.4D-15* $\text{EXP}(-2100/\text{TEMP})$ *0.88 : $\text{O}_3 + \text{MACR} = \text{MGLYOX} + \text{CH}_2\text{OOG}$;
 % 8.0D-12* $\text{EXP}(380/\text{TEMP})$ *0.45 : $\text{OH} + \text{MACR} = \text{MACO}_3$;
 % 8.0D-12* $\text{EXP}(380/\text{TEMP})$ *0.47 : $\text{OH} + \text{MACR} = \text{MACRO}_2$;
 % 8.0D-12* $\text{EXP}(380/\text{TEMP})$ *0.08 : $\text{OH} + \text{MACR} = \text{MACROHO}_2$;
 % KDEC*0.35 : $\text{CH}_3\text{C}_2\text{H}_2\text{O}_2 = \text{CH}_3\text{CO}_3 + \text{HCHO}$;
 % KDEC*0.65 : $\text{CH}_3\text{C}_2\text{H}_2\text{O}_2 = \text{HCHO} + \text{CH}_3\text{O}_2 + \text{CO}$;
 % J<41> : $\text{MACO}_3\text{H} = \text{CH}_3\text{C}_2\text{H}_2\text{O}_2 + \text{OH}$;
 % 1.661D-11 : $\text{OH} + \text{MACO}_3\text{H} = \text{MACO}_3$;
 % KAPHO2*0.44 : $\text{MACO}_3 + \text{HO}_2 = \text{CH}_3\text{C}_2\text{H}_2\text{O}_2 + \text{OH}$;
 % KAPHO2*0.15 : $\text{MACO}_3 + \text{HO}_2 = \text{MACO}_2\text{H} + \text{O}_3$;
 % KAPHO2*0.41 : $\text{MACO}_3 + \text{HO}_2 = \text{MACO}_3\text{H}$;
 % 8.70D-12* $\text{EXP}(290/\text{TEMP})$: $\text{MACO}_3 + \text{NO} = \text{CH}_3\text{C}_2\text{H}_2\text{O}_2 + \text{NO}_2$;
 % KFPAN : $\text{MACO}_3 + \text{NO}_2 = \text{MPAN}$;
 % KRO2NO3*1.74 : $\text{MACO}_3 + \text{NO}_3 = \text{CH}_3\text{C}_2\text{H}_2\text{O}_2 + \text{NO}_2$;
 % 1.00D-11*0.7*RO2 : $\text{MACO}_3 = \text{CH}_3\text{C}_2\text{H}_2\text{O}_2$;
 % 1.00D-11*0.3*RO2 : $\text{MACO}_3 = \text{MACO}_2\text{H}$;
 % 1.51D-11 : $\text{OH} + \text{MACO}_2\text{H} = \text{CH}_3\text{C}_2\text{H}_2\text{O}_2$;
 % J<11> : $\text{HCHO} = \text{CO} + \text{HO}_2 + \text{HO}_2$;
 % J<12> : $\text{HCHO} = \text{H}_2 + \text{CO}$;
 % 5.5D-16 : $\text{NO}_3 + \text{HCHO} = \text{HNO}_3 + \text{CO} + \text{HO}_2$;
 % 5.4D-12* $\text{EXP}(135/\text{TEMP})$: $\text{OH} + \text{HCHO} = \text{HO}_2 + \text{CO}$;
 % KAPHO2*0.15 : $\text{CH}_3\text{CO}_3 + \text{HO}_2 = \text{CH}_3\text{CO}_2\text{H} + \text{O}_3$;
 % KAPHO2*0.41 : $\text{CH}_3\text{CO}_3 + \text{HO}_2 = \text{CH}_3\text{CO}_3\text{H}$;
 % KAPHO2*0.44 : $\text{CH}_3\text{CO}_3 + \text{HO}_2 = \text{CH}_3\text{O}_2 + \text{OH}$;
 % 7.5D-12* $\text{EXP}(290/\text{TEMP})$: $\text{CH}_3\text{CO}_3 + \text{NO} = \text{NO}_2 + \text{CH}_3\text{O}_2$;
 % KFPAN : $\text{CH}_3\text{CO}_3 + \text{NO}_2 = \text{PAN}$;
 % 4.0D-12 : $\text{CH}_3\text{CO}_3 + \text{NO}_3 = \text{NO}_2 + \text{CH}_3\text{O}_2$;
 % 2*(K298CH3O2*2.9D-12* $\text{EXP}(500/\text{TEMP})$)*0.5*RO2*0.3 : $\text{CH}_3\text{CO}_3 = \text{CH}_3\text{CO}_2\text{H}$;
 % 2*(K298CH3O2*2.9D-12* $\text{EXP}(500/\text{TEMP})$)*0.5*RO2*0.7 : $\text{CH}_3\text{CO}_3 = \text{CH}_3\text{O}_2$;
 % J<13> : $\text{CH}_3\text{CHO} = \text{CH}_3\text{O}_2 + \text{HO}_2 + \text{CO}$;
 % 1.4D-12* $\text{EXP}(-1860/\text{TEMP})$: $\text{NO}_3 + \text{CH}_3\text{CHO} = \text{HNO}_3 + \text{CH}_3\text{CO}_3$;
 % 4.7D-12* $\text{EXP}(345/\text{TEMP})$ *0.95 : $\text{OH} + \text{CH}_3\text{CHO} = \text{CH}_3\text{CO}_3$;
 % 4.7D-12* $\text{EXP}(345/\text{TEMP})$ *0.05 : $\text{OH} + \text{CH}_3\text{CHO} = \text{HCOCH}_2\text{O}_2$;
 % KAPHO2*0.44 : $\text{C}_2\text{H}_5\text{CO}_3 + \text{HO}_2 = \text{C}_2\text{H}_5\text{O}_2 + \text{OH}$;
 % KAPHO2*0.41 : $\text{C}_2\text{H}_5\text{CO}_3 + \text{HO}_2 = \text{PERPROACID}$;
 % KAPHO2*0.15 : $\text{C}_2\text{H}_5\text{CO}_3 + \text{HO}_2 = \text{PROPACID} + \text{O}_3$;
 % 6.7D-12* $\text{EXP}(340/\text{TEMP})$: $\text{C}_2\text{H}_5\text{CO}_3 + \text{NO} = \text{NO}_2 + \text{C}_2\text{H}_5\text{O}_2$;
 % KFPAN : $\text{C}_2\text{H}_5\text{CO}_3 + \text{NO}_2 = \text{PPN}$;
 % KRO2NO3*1.74 : $\text{C}_2\text{H}_5\text{CO}_3 + \text{NO}_3 = \text{C}_2\text{H}_5\text{O}_2 + \text{NO}_2$;
 % 1.00D-11*0.7*RO2 : $\text{C}_2\text{H}_5\text{CO}_3 = \text{C}_2\text{H}_5\text{O}_2$;
 % 1.00D-11*0.3*RO2 : $\text{C}_2\text{H}_5\text{CO}_3 = \text{PROPACID}$;
 % 8.8D-12* $\text{EXP}(-1320/\text{TEMP}) + 1.7D-14* $\text{EXP}(423/\text{TEMP})$$: $\text{CH}_3\text{COCH}_3 + \text{OH} = \text{CH}_3\text{COCH}_2\text{O}_2$;
 % KAPHO2*0.15 : $\text{IPRCO}_3 + \text{HO}_2 = \text{IBUTACID} + \text{O}_3$;
 % KAPHO2*0.44 : $\text{IPRCO}_3 + \text{HO}_2 = \text{IC}_3\text{H}_7\text{O}_2 + \text{OH}$;
 % KAPHO2*0.41 : $\text{IPRCO}_3 + \text{HO}_2 = \text{PERIBUACID}$;
 % KAPNO : $\text{IPRCO}_3 + \text{NO} = \text{IC}_3\text{H}_7\text{O}_2 + \text{NO}_2$;
 % KFPAN : $\text{IPRCO}_3 + \text{NO}_2 = \text{PIP}_N$;
 % KRO2NO3*1.74 : $\text{IPRCO}_3 + \text{NO}_3 = \text{IC}_3\text{H}_7\text{O}_2 + \text{NO}_2$;
 % 1.00D-11*0.3*RO2 : $\text{IPRCO}_3 = \text{IBUTACID}$;
 % 1.00D-11*0.7*RO2 : $\text{IPRCO}_3 = \text{IC}_3\text{H}_7\text{O}_2$;
 % 1.7D-12* $\text{EXP}(-1500/\text{TEMP})$: $\text{C}_3\text{H}_7\text{CHO} + \text{NO}_3 = \text{HNO}_3 + \text{C}_3\text{H}_7\text{CO}_3$;
 % 6.0D-12* $\text{EXP}(410/\text{TEMP})$ *0.151 : $\text{C}_3\text{H}_7\text{CHO} + \text{OH} = \text{BUTALO}_2$;
 % 6.0D-12* $\text{EXP}(410/\text{TEMP})$ *0.849 : $\text{C}_3\text{H}_7\text{CHO} + \text{OH} = \text{C}_3\text{H}_7\text{CO}_3$;

% J<16> : C3H7CHO = CH3CHO + C2H4 ;
 % J<15> : C3H7CHO = NC3H7O2 + CO + HO2 ;
 % KAPHO2*0.44 : C4H9CO3 + HO2 = NC4H9O2 + OH ;
 % KAPHO2*0.15 : C4H9CO3 + HO2 = PENTACID + O3 ;
 % KAPHO2*0.41 : C4H9CO3 + HO2 = PERPENACID ;
 % KAPNO : C4H9CO3 + NO = NC4H9O2 + NO2 ;
 % KFPAN : C4H9CO3 + NO2 = PPEN ;
 % KRO2NO3*1.74 : C4H9CO3 + NO3 = NC4H9O2 + NO2 ;
 % 1.00D-11*0.7*RO2 : C4H9CO3 = NC4H9O2 ;
 % 1.00D-11*0.3*RO2 : C4H9CO3 = PENTACID ;
 % 4.3D-13*EXP(870/TEMP) : C2H5O2 + HO2 = C2H5OOH ;
 % 2.55D-12*EXP(380/TEMP)*0.009 : C2H5O2 + NO = C2H5NO3 ;
 % 2.55D-12*EXP(380/TEMP)*0.991 : C2H5O2 + NO = C2H5O + NO2 ;
 % KRO2NO3 : C2H5O2 + NO3 = C2H5O + NO2 ;
 % 2*(KCH3O2*6.4D-14*(TEMP/300)^0*EXP(0/TEMP))^0.5*RO2*0.6 : C2H5O2 = C2H5O ;
 % 2*(KCH3O2*6.4D-14*(TEMP/300)^0*EXP(0/TEMP))^0.5*RO2*0.2 : C2H5O2 = C2H5OH ;
 % 2*(KCH3O2*6.4D-14*(TEMP/300)^0*EXP(0/TEMP))^0.5*RO2*0.2 : C2H5O2 = CH3CHO ;
 % 1.8D-12 : BUTACID + OH = NC3H7O2 ;
 % KRO2HO2*0.520 : NC3H7O2 + HO2 = NC3H7OOH ;
 % 2.9D-12*EXP(350/TEMP)*0.020 : NC3H7O2 + NO = NC3H7NO3 ;
 % 2.9D-12*EXP(350/TEMP)*0.980 : NC3H7O2 + NO = NC3H7O + NO2 ;
 % KRO2NO3 : NC3H7O2 + NO3 = NC3H7O + NO2 ;
 % 2*(K298CH3O2*3D-13)^0.5*RO2*0.2 : NC3H7O2 = C2H5CHO ;
 % 2*(K298CH3O2*3D-13)^0.5*RO2*0.6 : NC3H7O2 = NC3H7O ;
 % 2*(K298CH3O2*3D-13)^0.5*RO2*0.2 : NC3H7O2 = NPROPOL ;
 % 8.29D-12 : PERBUACID + OH = C3H7CO3 ;
 % J<41> : PERBUACID = NC3H7O2 + OH ;
 % KRO2HO2*0.520 : IC3H7O2 + HO2 = IC3H7OOH ;
 % 2.7D-12*EXP(360/TEMP)*0.042 : IC3H7O2 + NO = IC3H7NO3 ;
 % 2.7D-12*EXP(360/TEMP)*0.958 : IC3H7O2 + NO = IC3H7O + NO2 ;
 % KRO2NO3 : IC3H7O2 + NO3 = IC3H7O + NO2 ;
 % 2*(KCH3O2*1.6D-12*EXP(-2200/TEMP))^0.5*RO2*0.2 : IC3H7O2 = CH3COCH3 ;
 % 2*(KCH3O2*1.6D-12*EXP(-2200/TEMP))^0.5*RO2*0.6 : IC3H7O2 = IC3H7O ;
 % 2*(KCH3O2*1.6D-12*EXP(-2200/TEMP))^0.5*RO2*0.2 : IC3H7O2 = IPROPOL ;
 % KRO2HO2*0.770 : C66O2 + HO2 = C66OOH ;
 % KRO2NO : C66O2 + NO = C66O + NO2 ;
 % KRO2NO3 : C66O2 + NO3 = C66O + NO2 ;
 % 8.40D-13*0.2*RO2 : C66O2 = C66CO ;
 % 8.40D-13*0.6*RO2 : C66O2 = C66O ;
 % 8.40D-13*0.2*RO2 : C66O2 = C66OH ;
 % J<17> : CO3C54CHO = DIEKAO2 + HO2 + CO ;
 % KNO3AL*8.5 : NO3 + CO3C54CHO = CO3C54CO3 + HNO3 ;
 % 6.87D-11 : OH + CO3C54CHO = CO3C54CO3 ;
 % KRO2HO2*0.520 : HYPROPO2 + HO2 = HYPROPO2H ;
 % KRO2NO3 : HYPROPO2 + NO3 = HYPROPO + NO2 ;
 % 8.80D-13*0.2*RO2 : HYPROPO2 = ACETOL ;
 % 8.80D-13*0.6*RO2 : HYPROPO2 = HYPROPO ;
 % 8.80D-13*0.2*RO2 : HYPROPO2 = PROPGLY ;
 % KRO2NO*0.977 : NO + HYPROPO2 = HYPROPO + NO2 ;
 % KRO2NO*0.023 : NO + HYPROPO2 = PROPOLNO3 ;
 % 1.38D-12 : CO23C5 + OH = CO23C54O2 ;
 % J<35> : CO23C5 = CH3CO3 + C2H5CO3 ;
 % J<15> : CO3C4CHO = MEKCO2 + HO2 + CO ;
 % KNO3AL*5.5 : NO3 + CO3C4CHO = CO3C4CO3 + HNO3 ;
 % 6.76D-11 : OH + CO3C4CHO = CO3C4CO3 ;

% 1.46D-11 : HO1CO3C5 + OH = CO3C4CHO + HO2 ;
 % J<22> : HO1CO3C5 = C2H5CO3 + HOCH2CH2O2 ;
 % KRO2HO2*0.706 : HOCO3C54O2 + HO2 = HOCO3C5OOH ;
 % KRO2NO : HOCO3C54O2 + NO = HOCO3C54O + NO2 ;
 % KRO2NO3 : HOCO3C54O2 + NO3 = HOCO3C54O + NO2 ;
 % 8.80D-13*0.2*RO2 : HOCO3C54O2 = HO14CO3C5 ;
 % 8.80D-13*0.2*RO2 : HOCO3C54O2 = HO1CO34C5 ;
 % 8.80D-13*0.6*RO2 : HOCO3C54O2 = HOCO3C54O ;
 % KAPHO2*0.15 : ACO3 + HO2 = ACO2H + O3 ;
 % KAPHO2*0.41 : ACO3 + HO2 = ACO3H ;
 % KAPHO2*0.44 : ACO3 + HO2 = HO2 + CO + HCHO + OH ;
 % KAPNO : ACO3 + NO = HO2 + CO + HCHO + NO2 ;
 % KFPAN : ACO3 + NO2 = ACRPAN ;
 % KRO2NO3*1.74 : ACO3 + NO3 = HO2 + CO + HCHO + NO2 ;
 % 1.00D-11*0.3*RO2 : ACO3 = ACO2H ;
 % 1.00D-11*0.7*RO2 : ACO3 = HO2 + CO + HCHO ;
 % KNO3AL : HOCH2CHO + NO3 = HOCH2CO3 + HNO3 ;
 % 1.00D-11*0.200 : HOCH2CHO + OH = GLYOX + HO2 ;
 % 1.00D-11*0.800 : HOCH2CHO + OH = HOCH2CO3 ;
 % J<15> : HOCH2CHO = HO2 + HCHO + HO2 + CO ;
 % 1.6D-12*EXP(305/TEMP) : ACETOL + OH = MGLYOX + HO2 ;
 % J<22> : ACETOL = CH3CO3 + HCHO + HO2 ;
 % KDEC*0.18 : MGLYOOB = MGLYOO ;
 % KDEC*0.82 : MGLYOOB = OH + CO + CH3CO3 ;
 % J<34> : MGLYOX = CH3CO3 + CO + HO2 ;
 % KNO3AL*2.4 : NO3 + MGLYOX = CH3CO3 + CO + HNO3 ;
 % 1.9D-12*EXP(575/TEMP) : OH + MGLYOX = CH3CO3 + CO ;
 % KDEC*0.37 : CH2OOG = CH2OO ;
 % KDEC*0.47 : CH2OOG = CO ;
 % KDEC*0.16 : CH2OOG = HO2 + CO + OH ;
 % KRO2HO2*0.625 : MACRO2 + HO2 = MACROOH ;
 % KRO2NO : MACRO2 + NO = MACRO + NO2 ;
 % KRO2NO3 : MACRO2 + NO3 = MACRO + NO2 ;
 % 9.20D-14*0.7*RO2 : MACRO2 = MACRO ;
 % 9.20D-14*0.3*RO2 : MACRO2 = MACROH ;
 % KRO2HO2*0.625 : MACROHO2 + HO2 = MACROHOOH ;
 % KRO2NO*0.017 : MACROHO2 + NO = MACROHNO3 ;
 % KRO2NO*0.983 : MACROHO2 + NO = MACROHO + NO2 ;
 % KRO2NO3 : MACROHO2 + NO3 = MACROHO + NO2 ;
 % 1.4D-12*0.2*RO2 : MACROHO2 = C3MDIALOH ;
 % 1.4D-12*0.2*RO2 : MACROHO2 = MACROH ;
 % 1.4D-12*0.6*RO2 : MACROHO2 = MACROHO ;
 % 3.8D-13*EXP(780/TEMP)*(1-1/(1+498*EXP(-1160/TEMP))) : CH3O2 + HO2 = CH3OOH ;
 % 3.8D-13*EXP(780/TEMP)*(1/(1+498*EXP(-1160/TEMP))) : CH3O2 + HO2 = HCHO ;
 * ;
 * next 2 rxns modified by HDO to account for higher yield ;
 * ;
 % 2.3D-12*EXP(360/TEMP)*0.99 : CH3O2 + NO = CH3O + NO2 ;
 % 2.3D-12*EXP(360/TEMP)*0.01 : CH3O2 + NO = CH3NO3 ;
 % KMT13 : CH3O2 + NO2 = CH3O2NO2 ;
 % 1.2D-12 : CH3O2 + NO3 = CH3O + NO2 ;
 % 2*KCH3O2*RO2*7.18*EXP(-885/TEMP) : CH3O2 = CH3O ;
 % 2*KCH3O2*RO2*0.5*(1-7.18*EXP(-885/TEMP)) : CH3O2 = CH3OH ;
 % 2*KCH3O2*RO2*0.5*(1-7.18*EXP(-885/TEMP)) : CH3O2 = HCHO ;
 % 8.00D-13 : CH3CO2H + OH = CH3O2 ;

% 3.70D-12 : $\text{CH}_3\text{CO}_3\text{H} + \text{OH} = \text{CH}_3\text{CO}_3$;
 % J<41> : $\text{CH}_3\text{CO}_3\text{H} = \text{CH}_3\text{O}_2 + \text{OH}$;
 % $\text{KRO}_2\text{HO}_2*0.387$: $\text{HCOCH}_2\text{O}_2 + \text{HO}_2 = \text{HCOCH}_2\text{OOH}$;
 % KRO_2NO : $\text{HCOCH}_2\text{O}_2 + \text{NO} = \text{NO}_2 + \text{HCOCH}_2\text{O}$;
 % KRO_2NO_3 : $\text{HCOCH}_2\text{O}_2 + \text{NO}_3 = \text{HCOCH}_2\text{O} + \text{NO}_2$;
 % $2.00\text{D}-12*0.2*\text{RO}_2$: $\text{HCOCH}_2\text{O}_2 = \text{GLYOX}$;
 % $2.00\text{D}-12*0.6*\text{RO}_2$: $\text{HCOCH}_2\text{O}_2 = \text{HCOCH}_2\text{O}$;
 % $2.00\text{D}-12*0.2*\text{RO}_2$: $\text{HCOCH}_2\text{O}_2 = \text{HOCH}_2\text{CHO}$;
 % 4.42D-12 : $\text{PERPROACID} + \text{OH} = \text{C}_2\text{H}_5\text{CO}_3$;
 % J<41> : $\text{PERPROACID} = \text{C}_2\text{H}_5\text{O}_2 + \text{OH}$;
 % 1.2D-12 : $\text{PROPACID} + \text{OH} = \text{C}_2\text{H}_5\text{O}_2$;
 % $1.36\text{D}-13*\text{EXP}(1250/\text{TEMP})*0.15$: $\text{CH}_3\text{COCH}_2\text{O}_2 + \text{HO}_2 = \text{CH}_3\text{COCH}_2\text{O} + \text{OH}$;
 % $1.36\text{D}-13*\text{EXP}(1250/\text{TEMP})*0.85$: $\text{CH}_3\text{COCH}_2\text{O}_2 + \text{HO}_2 = \text{HYPERACET}$;
 % KRO_2NO : $\text{CH}_3\text{COCH}_2\text{O}_2 + \text{NO} = \text{CH}_3\text{COCH}_2\text{O} + \text{NO}_2$;
 % KRO_2NO_3 : $\text{CH}_3\text{COCH}_2\text{O}_2 + \text{NO}_3 = \text{CH}_3\text{COCH}_2\text{O} + \text{NO}_2$;
 % $2*(\text{K}298\text{CH}3\text{O}_2*8.0\text{D}-12)*0.5*\text{RO}_2*0.2$: $\text{CH}_3\text{COCH}_2\text{O}_2 = \text{ACETOL}$;
 % $2*(\text{K}298\text{CH}3\text{O}_2*8.0\text{D}-12)*0.5*\text{RO}_2*0.6$: $\text{CH}_3\text{COCH}_2\text{O}_2 = \text{CH}_3\text{COCH}_2\text{O}$;
 % $2*(\text{K}298\text{CH}3\text{O}_2*8.0\text{D}-12)*0.5*\text{RO}_2*0.2$: $\text{CH}_3\text{COCH}_2\text{O}_2 = \text{MGLYOX}$;
 % 2.00D-12 : $\text{IBUTACID} + \text{OH} = \text{IC}_3\text{H}_7\text{O}_2$;
 % 6.26D-12 : $\text{PERIBUACID} + \text{OH} = \text{IPRCO}_3$;
 % J<41> : $\text{PERIBUACID} = \text{IC}_3\text{H}_7\text{O}_2 + \text{OH}$;
 % $\text{KRO}_2\text{HO}_2*0.625$: $\text{BUTALO}_2 + \text{HO}_2 = \text{BUTALO}_2\text{H}$;
 % $\text{KRO}_2\text{NO}*0.083$: $\text{BUTALO}_2 + \text{NO} = \text{BUTALNO}_3$;
 % $\text{KRO}_2\text{NO}*0.917$: $\text{BUTALO}_2 + \text{NO} = \text{BUTALO} + \text{NO}_2$;
 % KRO_2NO_3 : $\text{BUTALO}_2 + \text{NO}_3 = \text{BUTALO} + \text{NO}_2$;
 % $2.50\text{D}-13*0.6*\text{RO}_2$: $\text{BUTALO}_2 = \text{BUTALO}$;
 % $2.50\text{D}-13*0.2*\text{RO}_2$: $\text{BUTALO}_2 = \text{CO}_2\text{C}_3\text{CHO}$;
 % $2.50\text{D}-13*0.2*\text{RO}_2$: $\text{BUTALO}_2 = \text{HO}_2\text{C}_3\text{CHO}$;
 % $3.3\text{D}-12*\text{EXP}(-2880/\text{TEMP})$: $\text{C}_2\text{H}_4 + \text{NO}_3 = \text{ETHENO}_3\text{O}_2$;
 % $9.1\text{D}-15*\text{EXP}(-2580/\text{TEMP})$: $\text{C}_2\text{H}_4 + \text{O}_3 = \text{HCHO} + \text{CH}_2\text{OOA}$;
 % $\text{KMT}15$: $\text{C}_2\text{H}_4 + \text{OH} = \text{HOCH}_2\text{CH}_2\text{O}_2$;
 % $\text{KRO}_2\text{HO}_2*0.625$: $\text{NC}_4\text{H}_9\text{O}_2 + \text{HO}_2 = \text{NC}_4\text{H}_9\text{OOH}$;
 % $\text{KRO}_2\text{NO}*0.033$: $\text{NC}_4\text{H}_9\text{O}_2 + \text{NO} = \text{NC}_4\text{H}_9\text{NO}_3$;
 % $\text{KRO}_2\text{NO}*0.967$: $\text{NC}_4\text{H}_9\text{O}_2 + \text{NO} = \text{NC}_4\text{H}_9\text{O} + \text{NO}_2$;
 % KRO_2NO_3 : $\text{NC}_4\text{H}_9\text{O}_2 + \text{NO}_3 = \text{NC}_4\text{H}_9\text{O} + \text{NO}_2$;
 % $1.30\text{D}-12*0.2*\text{RO}_2$: $\text{NC}_4\text{H}_9\text{O}_2 = \text{C}_3\text{H}_7\text{CHO}$;
 % $1.30\text{D}-12*0.2*\text{RO}_2$: $\text{NC}_4\text{H}_9\text{O}_2 = \text{NBUTOL}$;
 % $1.30\text{D}-12*0.6*\text{RO}_2$: $\text{NC}_4\text{H}_9\text{O}_2 = \text{NC}_4\text{H}_9\text{O}$;
 % 6.88D-12 : $\text{PENTACID} + \text{OH} = \text{NC}_4\text{H}_9\text{O}_2$;
 % 1.04D-11 : $\text{PERPENACID} + \text{OH} = \text{C}_4\text{H}_9\text{CO}_3$;
 % J<41> : $\text{PERPENACID} = \text{NC}_4\text{H}_9\text{O}_2 + \text{OH}$;
 % J<41> : $\text{C}_2\text{H}_5\text{OOH} = \text{C}_2\text{H}_5\text{O} + \text{OH}$;
 % $1.90\text{D}-12*\text{EXP}(190/\text{TEMP})$: $\text{OH} + \text{C}_2\text{H}_5\text{OOH} = \text{C}_2\text{H}_5\text{O}_2$;
 % $8.01\text{D}-12$: $\text{OH} + \text{C}_2\text{H}_5\text{OOH} = \text{CH}_3\text{CHO} + \text{OH}$;
 % J<52> : $\text{C}_2\text{H}_5\text{NO}_3 = \text{C}_2\text{H}_5\text{O} + \text{NO}_2$;
 % $6.7\text{D}-13*\text{EXP}(-395/\text{TEMP})$: $\text{OH} + \text{C}_2\text{H}_5\text{NO}_3 = \text{CH}_3\text{CHO} + \text{NO}_2$;
 % $2.4\text{D}-14*\text{EXP}(-325/\text{TEMP})*\text{O}_2$: $\text{C}_2\text{H}_5\text{O} = \text{CH}_3\text{CHO} + \text{HO}_2$;
 % $3.0\text{D}-12*\text{EXP}(20/\text{TEMP})*0.05$: $\text{C}_2\text{H}_5\text{OH} + \text{OH} = \text{C}_2\text{H}_5\text{O}$;
 % $3.0\text{D}-12*\text{EXP}(20/\text{TEMP})*0.9$: $\text{C}_2\text{H}_5\text{OH} + \text{OH} = \text{CH}_3\text{CHO} + \text{HO}_2$;
 % $3.0\text{D}-12*\text{EXP}(20/\text{TEMP})*0.05$: $\text{C}_2\text{H}_5\text{OH} + \text{OH} = \text{HOCH}_2\text{CH}_2\text{O}_2$;
 % J<41> : $\text{NC}_3\text{H}_7\text{OOH} = \text{NC}_3\text{H}_7\text{O} + \text{OH}$;
 % 1.10D-11 : $\text{OH} + \text{NC}_3\text{H}_7\text{OOH} = \text{C}_2\text{H}_5\text{CHO} + \text{OH}$;
 % $1.90\text{D}-12*\text{EXP}(190/\text{TEMP})$: $\text{OH} + \text{NC}_3\text{H}_7\text{OOH} = \text{NC}_3\text{H}_7\text{O}_2$;
 % J<53> : $\text{NC}_3\text{H}_7\text{NO}_3 = \text{NC}_3\text{H}_7\text{O} + \text{NO}_2$;
 % 5.8D-13 : $\text{OH} + \text{NC}_3\text{H}_7\text{NO}_3 = \text{C}_2\text{H}_5\text{CHO} + \text{NO}_2$;

% 2.6D-14*EXP(-255/TEMP)*O2 : NC3H7O = C2H5CHO + HO2 ;
 % 4.6D-12*EXP(70/TEMP)*0.494 : NPROPOL + OH = C2H5CHO + HO2 ;
 % 4.6D-12*EXP(70/TEMP)*0.063 : NPROPOL + OH = HO1C3O2 ;
 % 4.6D-12*EXP(70/TEMP)*0.443 : NPROPOL + OH = HYPROPO2 ;
 % J<41> : IC3H7OOH = IC3H7O + OH ;
 % 1.66D-11 : OH + IC3H7OOH = CH3COCH3 + OH ;
 % 1.90D-12*EXP(190/TEMP) : OH + IC3H7OOH = IC3H7O2 ;
 % J<54> : IC3H7NO3 = IC3H7O + NO2 ;
 % 6.2D-13*EXP(-230/TEMP) : OH + IC3H7NO3 = CH3COCH3 + NO2 ;
 % 1.5D-14*EXP(-230/TEMP)*O2 : IC3H7O = CH3COCH3 + HO2 ;
 % 2.6D-12*EXP(200/TEMP)*0.861 : IPROPOL + OH = CH3COCH3 + HO2 ;
 % 2.6D-12*EXP(200/TEMP)*0.139 : IPROPOL + OH = IPROPOL2 ;
 % J<41> : C66OOH = C66O + OH ;
 % J<22> : C66OOH = CH3CHO + HOIPRCO3 + OH ;
 % 2.80D-11 : OH + C66OOH = C66CO + OH ;
 % 1.90D-12*EXP(190/TEMP) : OH + C66OOH = C66O2 ;
 % KDEC : C66O = CH3CHO + HOIPRCO3 ;
 % J<35> : C66CO = IPRCO3 + CH3CO3 ;
 % 1.53D-11 : OH + C66CO = C23C54CHO + HO2 ;
 % J<22> : C66OH = CH3CHO + HOIPRCO3 + HO2 ;
 % 2.10D-11 : OH + C66OH = C66CO + HO2 ;
 % KAPHO2*0.56 : CO3C54CO3 + HO2 = CO3C54CO3H ;
 % KAPHO2*0.44 : CO3C54CO3 + HO2 = DIEKAO2 + OH ;
 % KAPNO : CO3C54CO3 + NO = DIEKAO2 + NO2 ;
 % KFPAN : CO3C54CO3 + NO2 = C6PAN6 ;
 % KRO2NO3*1.74 : CO3C54CO3 + NO3 = DIEKAO2 + NO2 ;
 % 1.00D-11*RO2 : CO3C54CO3 = DIEKAO2 ;
 % 2.44D-11 : HYPROPO2H + OH = ACETOL + OH ;
 % 1.90D-12*EXP(190/TEMP) : HYPROPO2H + OH = HYPROPO2 ;
 % J<41> : HYPROPO2H = HYPROPO + OH ;
 % 2.00D+14*EXP(-6410/TEMP) : HYPROPO = CH3CHO + HCHO + HO2 ;
 % 1.20D-11*0.613 : PROPGLY + OH = ACETOL + HO2 ;
 % 1.20D-11*0.387 : PROPGLY + OH = CH3CHOHCHO + HO2 ;
 % 9.16D-13 : PROPOLNO3 + OH = ACETOL + NO2 ;
 % KRO2HO2*0.706 : CO23C54O2 + HO2 = CO23C54OOH ;
 % KRO2NO : CO23C54O2 + NO = CO23C54O + NO2 ;
 % KRO2NO3 : CO23C54O2 + NO3 = CO23C54O + NO2 ;
 % 8.80D-13*RO2 : CO23C54O2 = CO23C54O ;
 % KRO2HO2*0.625 : MEKCO2 + HO2 = MEKCOOH ;
 % KRO2NO : MEKCO2 + NO = MEKCO + NO2 ;
 % KRO2NO3 : MEKCO2 + NO3 = MEKCO + NO2 ;
 % 2.00D-12*0.2*RO2 : MEKCO2 = EGLYOX ;
 % 2.00D-12*0.6*RO2 : MEKCO2 = MEKCO ;
 % 2.00D-12*0.2*RO2 : MEKCO2 = MEKCOH ;
 % KAPHO2*0.15 : CO3C4CO3 + HO2 = CO3C4CO2H + O3 ;
 % KAPHO2*0.41 : CO3C4CO3 + HO2 = CO3C4CO3H ;
 % KAPHO2*0.44 : CO3C4CO3 + HO2 = MEKCO2 + OH ;
 % KAPNO : CO3C4CO3 + NO = MEKCO2 + NO2 ;
 % KFPAN : CO3C4CO3 + NO2 = C5PAN16 ;
 % KRO2NO3*1.74 : CO3C4CO3 + NO3 = MEKCO2 + NO2 ;
 % 1.00D-11*0.3*RO2 : CO3C4CO3 = CO3C4CO2H ;
 % 1.00D-11*0.7*RO2 : CO3C4CO3 = MEKCO2 ;
 % 1.53D-13*EXP(1300/TEMP) : HOCH2CH2O2 + HO2 = HYETHO2H ;
 % KRO2NO*0.005 : HOCH2CH2O2 + NO = ETHOHNO3 ;
 % KRO2NO*0.995 : HOCH2CH2O2 + NO = HOCH2CH2O + NO2 ;

% KRO2NO3 : HOCH2CH2O2 + NO3 = HOCH2CH2O + NO2 ;
 % 2*(KCH3O2*7.8D-14*EXP(1000/TEMP))@0.5*RO2*0.2 : HOCH2CH2O2 = ETHGLY ;
 % 2*(KCH3O2*7.8D-14*EXP(1000/TEMP))@0.5*RO2*0.6 : HOCH2CH2O2 = HOCH2CH2O ;
 % 2*(KCH3O2*7.8D-14*EXP(1000/TEMP))@0.5*RO2*0.2 : HOCH2CH2O2 = HOCH2CHO ;
 % 3.57D-11 : HOCO3C5OOH + OH = HOCO3C54O2 ;
 % J<22> : HOCO3C5OOH = CH3CHO + HOC2H4CO3 + OH ;
 % J<41> : HOCO3C5OOH = HOCO3C54O + OH ;
 % KDEC : HOCO3C54O = CH3CHO + HOC2H4CO3 ;
 % 1.88D-11 : HO14CO3C5 + OH = HO1CO34C5 + HO2 ;
 % J<22> : HO14CO3C5 = CH3CHO + HOC2H4CO3 ;
 % J<35> : HO1CO34C5 = CH3CO3 + HOC2H4CO3 ;
 % 1.39D-11 : OH + HO1CO34C5 = CO23C4CHO + HO2 ;
 % 8.66D-12 : OH + ACO2H = HO2 + CO + HCHO ;
 % J<41> : ACO3H = HO2 + CO + HCHO + OH ;
 % 1.22D-11 : OH + ACO3H = ACO3 ;
 % KAPHO2*0.44 : HOCH2CO3 + HO2 = HO2 + HCHO + OH ;
 % KAPHO2*0.15 : HOCH2CO3 + HO2 = HOCH2CO2H + O3 ;
 % KAPHO2*0.41 : HOCH2CO3 + HO2 = HOCH2CO3H ;
 % KAPNO : HOCH2CO3 + NO = NO2 + HO2 + HCHO ;
 % KFPAN : HOCH2CO3 + NO2 = PHAN ;
 % KRO2NO3*1.74 : HOCH2CO3 + NO3 = NO2 + HO2 + HCHO ;
 % 1.00D-11*0.7*RO2 : HOCH2CO3 = HCHO + HO2 ;
 % 1.00D-11*0.3*RO2 : HOCH2CO3 = HOCH2CO2H ;
 % J<31> : GLYOX = CO + CO + H2 ;
 % J<33> : GLYOX = CO + CO + HO2 + HO2 ;
 % J<32> : GLYOX = HCHO + CO ;
 % KNO3AL*0.6 : NO3 + GLYOX = CO + CO + HO2 + HNO3 ;
 % KNO3AL*0.4 : NO3 + GLYOX = HCOCO3 + HNO3 ;
 % 3.1D-12*EXP(340/TEMP)*0.6 : OH + GLYOX = CO + CO + HO2 ;
 % 3.1D-12*EXP(340/TEMP)*0.4 : OH + GLYOX = HCOCO3 ;
 % 1.2D-15 : MGLYOO + CO = MGLYOX ;
 % 1.0D-14 : MGLYOO + NO = MGLYOX + NO2 ;
 % 1.0D-15 : MGLYOO + NO2 = MGLYOX + NO3 ;
 % 7.0D-14 : MGLYOO + SO2 = MGLYOX + SO3 ;
 % 6.0D-18*H2O : MGLYOO = MGLYOX + H2O2 ;
 % 1.20D-15 : CH2OO + CO = HCHO ;
 % 1.00D-14 : CH2OO + NO = HCHO + NO2 ;
 % 1.00D-15 : CH2OO + NO2 = HCHO + NO3 ;
 % 7.00D-14 : CH2OO + SO2 = HCHO + SO3 ;
 % 6.00D-18*H2O : CH2OO = HCHO + H2O2 ;
 % 1.00D-17*H2O : CH2OO = HCOOH ;
 % J<17> : MACROOH = ACETOL + CO + HO2 + OH ;
 % J<41> : MACROOH = MACRO + OH ;
 % 3.77D-11 : OH + MACROOH = ACETOL + CO + OH ;
 % KDEC : MACRO = ACETOL + CO + HO2 ;
 % J<17> : MACROH = ACETOL + CO + HO2 + HO2 ;
 % 3.42D-11 : OH + MACROH = C3MDIALOH + HO2 ;
 % 5.55D-11 : MACROHOOH + OH = C3MDIALOH + OH ;
 % J<17> : MACROHOOH = IBUTALOH + CO + HO2 + OH ;
 % J<41> : MACROHOOH = MACROHO + OH ;
 % 2.18D-11 : MACROHNO3 + OH = NOA + CO + HO2 ;
 % J<55> : MACROHNO3 = MACROHO + NO2 ;
 % J<17> : MACROHNO3 = NOA + HO2 + CO + HO2 ;
 % KDEC : MACROHO = MGLYOX + HCHO + HO2 ;
 % 1.32D-10 : C3MDIALOH + OH = CHOMOHCO3 ;

% J<17>*2 : C3MDIALOH = MGLYOX + HO2 + CO + HO2 ;
 % J<41> : CH3OOH = CH3O + OH ;
 % 5.3D-12*EXP(190/TEMP)*0.6 : OH + CH3OOH = CH3O2 ;
 % 5.3D-12*EXP(190/TEMP)*0.4 : OH + CH3OOH = HCHO + OH ;
 % J<51> : CH3NO3 = CH3O + NO2 ;
 % 4.0D-13*EXP(-845/TEMP) : OH + CH3NO3 = HCHO + NO2 ;
 % 7.2D-14*EXP(-1080/TEMP)*O2 : CH3O = HCHO + HO2 ;
 % KMT14 : CH3O2NO2 = CH3O2 + NO2 ;
 % 2.85D-12*EXP(-345/TEMP) : CH3OH + OH = HO2 + HCHO ;
 % 2.91D-11 : HCOCH2OOH + OH = GLYOX + OH ;
 % 1.90D-12*EXP(190/TEMP) : HCOCH2OOH + OH = HCOCH2O2 ;
 % J<41> : HCOCH2OOH = HCOCH2O + OH ;
 % J<15> : HCOCH2OOH = HO2 + CO + HCHO + OH ;
 % KDEC : HCOCH2O = HCHO + CO + HO2 ;
 % KDEC : CH3COCH2O = CH3CO3 + HCHO ;
 % 1.90D-12*EXP(190/TEMP) : HYPERACET + OH = CH3COCH2O2 ;
 % 8.39D-12 : HYPERACET + OH = MGLYOX + OH ;
 % J<22> : HYPERACET = CH3CO3 + HCHO + OH ;
 % J<41> : HYPERACET = CH3COCH2O + OH ;
 % 1.90D-12*EXP(190/TEMP) : BUTALO2H + OH = BUTALO2 ;
 % 1.27D-10 : BUTALO2H + OH = CO2C3CHO + OH ;
 % J<41> : BUTALO2H = BUTALO + OH ;
 % J<15> : BUTALO2H = HO2 + CO + IC3H7O2 ;
 % 2.25D-11 : BUTALNO3 + OH = CO2C3CHO + NO2 ;
 % J<54> : BUTALNO3 = NO2 + BUTALO ;
 % J<15> : BUTALNO3 = NO2 + BUTALO ;
 % 2.70D+14*EXP(-7398/TEMP) : BUTALO = CH3CHO + HCOCH2O2 ;
 % KROSEC*O2 : BUTALO = CO2C3CHO + HO2 ;
 % KNO3AL*4.0 : CO2C3CHO + NO3 = CO2C3CO3 + HNO3 ;
 % 7.15D-11 : CO2C3CHO + OH = CO2C3CO3 ;
 % J<15> : CO2C3CHO = CH3COCH2O2 + HCHO ;
 % J<15> : HO2C3CHO = HO2 + CO + IPROPOLO2 ;
 % KNO3AL*4.0 : NO3 + HO2C3CHO = HO2C3CO3 + HNO3 ;
 % 4.88D-11*0.561 : OH + HO2C3CHO = CO2C3CHO + HO2 ;
 % 4.88D-11*0.439 : OH + HO2C3CHO = HO2C3CO3 ;
 % KRO2HO2*0.387 : ETHENO3O2 + HO2 = ETHO2HNO3 ;
 % KRO2NO : ETHENO3O2 + NO = ETHENO3O + NO2 ;
 % KRO2NO3 : ETHENO3O2 + NO3 = ETHENO3O + NO2 ;
 % 6.00D-13*0.6*RO2 : ETHENO3O2 = ETHENO3O ;
 % 6.00D-13*0.2*RO2 : ETHENO3O2 = ETHO2HNO3 ;
 % 6.00D-13*0.2*RO2 : ETHENO3O2 = NO3CH2CHO ;
 % KDEC*0.37 : CH2OOA = CH2OO ;
 % KDEC*0.50 : CH2OOA = CO ;
 % KDEC*0.13 : CH2OOA = HO2 + CO + OH ;
 % J<41> : NC4H9OOH = NC4H9O + OH ;
 % 1.24D-11 : OH + NC4H9OOH = C3H7CHO + OH ;
 % 1.90D-12*EXP(190/TEMP) : OH + NC4H9OOH = NC4H9O2 ;
 % J<53> : NC4H9NO3 = NC4H9O + NO2 ;
 % 1.6D-12 : OH + NC4H9NO3 = C3H7CHO + NO2 ;
 % 8.9D-14*EXP(-550/TEMP)*O2 : NC4H9O = C3H7CHO + HO2 ;
 % 4.6D10*EXP(-3570/TEMP) : NC4H9O = HO1C4O2 ;
 % 5.3D-12*EXP(140/TEMP)*0.358 : NBUTOL + OH = C3H7CHO + HO2 ;
 % 5.3D-12*EXP(140/TEMP)*0.321 : NBUTOL + OH = NBUTOLAO2 ;
 % 5.3D-12*EXP(140/TEMP)*0.321 : NBUTOL + OH = NBUTOLBO2 ;
 % KRO2HO2*0.520 : HO1C3O2 + HO2 = HO1C3OOH ;

% KRO2NO*0.019 : HO1C3O2 + NO = HO1C3NO3 ;
 % KRO2NO*0.981 : HO1C3O2 + NO = HO1C3O + NO2 ;
 % KRO2NO3 : HO1C3O2 + NO3 = HO1C3O + NO2 ;
 % 6.00D-13*0.6*RO2 : HO1C3O2 = HO1C3O ;
 % 6.00D-13*0.2*RO2 : HO1C3O2 = HOC2H4CHO ;
 % 6.00D-13*0.2*RO2 : HO1C3O2 = HOC3H6OH ;
 % KRO2HO2*0.520 : IPROPOLO2 + HO2 = IPROPOLO2H ;
 % KRO2NO*0.991 : IPROPOLO2 + NO = IPROPOLO + NO2 ;
 % KRO2NO*0.009 : IPROPOLO2 + NO = PROLNO3 ;
 % KRO2NO3 : IPROPOLO2 + NO3 = IPROPOLO + NO2 ;
 % 2.00D-12*0.2*RO2 : IPROPOLO2 = CH3CHOHCHO ;
 % 2.00D-12*0.6*RO2 : IPROPOLO2 = IPROPOLO ;
 % 2.00D-12*0.2*RO2 : IPROPOLO2 = PROPGLY ;
 % KAPHO2*0.15 : HOIPRCO3 + HO2 = HOIPRCO2H + O3 ;
 % KAPHO2*0.41 : HOIPRCO3 + HO2 = HOIPRCO3H ;
 % KAPHO2*0.44 : HOIPRCO3 + HO2 = HYPROPO2 + OH ;
 % KAPNO : HOIPRCO3 + NO = HYPROPO2 + NO2 ;
 % KFPAN : HOIPRCO3 + NO2 = C4PAN4 ;
 % KRO2NO3*1.74 : HOIPRCO3 + NO3 = HYPROPO2 + NO2 ;
 % 1.00D-11*0.3*RO2 : HOIPRCO3 = HOIPRCO2H ;
 % 1.00D-11*0.7*RO2 : HOIPRCO3 = HYPROPO2 ;
 % J<35> : C23C54CHO = CH3CO3 + IBUDIALCO3 ;
 % KNO3AL*8.5 : NO3 + C23C54CHO = C23C54CO3 + HNO3 ;
 % 6.75D-11 : OH + C23C54CHO = C23C54CO3 ;
 % J<41> : CO3C54CO3H = DIEKAO2 + OH ;
 % J<22> : CO3C54CO3H = DIEKAO2 + OH ;
 % 6.48D-12 : OH + CO3C54CO3H = CO3C54CO3 ;
 % KBPAN : C6PAN6 = CO3C54CO3 + NO2 ;
 % 2.20D-12 : OH + C6PAN6 = CO23C5 + CO + NO2 ;
 % KNO3AL*2.4 : CH3CHOHCHO + NO3 = CH3CHOHCO3 + HNO3 ;
 % 1.7D-11 : CH3CHOHCHO + OH = CH3CHOHCO3 ;
 % J<17> : CH3CHOHCHO = CH3CHO + HO2 + CO + HO2 ;
 % 2.24D-11 : CO23C54OOH + OH = CO23C54O2 ;
 % J<41> : CO23C54OOH = CO23C54O + OH ;
 % J<35> : CO23C54OOH = CO23C54O + OH ;
 % KDEC : CO23C54O = CH3CHO + CH3CO3 + CO ;
 % 9.55D-12 : MEKCOOH + OH = EGLYOX + OH ;
 % 1.90D-12*EXP(190/TEMP) : MEKCOOH + OH = MEKCO2 ;
 % J<22> : MEKCOOH = C2H5CO3 + HCHO + OH ;
 % J<41> : MEKCOOH = MEKCO + OH ;
 % KDEC : MEKCO = C2H5CO3 + HCHO ;
 % J<34> : EGLYOX = C2H5CO3 + CO + HO2 ;
 % KNO3AL*4.0 : NO3 + EGLYOX = C2H5CO3 + CO + HNO3 ;
 % 1.39D-11 : OH + EGLYOX = C2H5CO3 + CO ;
 % 3.44D-12 : MEKCOH + OH = EGLYOX + HO2 ;
 % J<22> : MEKCOH = C2H5CO3 + HCHO + HO2 ;
 % J<22> : CO3C4CO2H = MEKCO2 + HO2 ;
 % 1.90D-12 : OH + CO3C4CO2H = MEKCO2 ;
 % J<41> : CO3C4CO3H = MEKCO2 + OH ;
 % J<22> : CO3C4CO3H = MEKCO2 + OH ;
 % 5.36D-12 : OH + CO3C4CO3H = CO3C4CO3 ;
 % KBPAN : C5PAN16 = CO3C4CO3 + NO2 ;
 % 1.44D-12 : OH + C5PAN16 = EGLYOX + CO + NO2 ;
 % 1.90D-12*EXP(190/TEMP) : HYETHO2H + OH = HOCH2CH2O2 ;
 % 1.38D-11 : HYETHO2H + OH = HOCH2CHO + OH ;

% J<41> : HYETHO2H = HOCH2CH2O + OH ;
 % 8.40D-13 : ETHOHNO3 + OH = HOCH2CHO + NO2 ;
 % 9.50D+13*EXP(-5988/TEMP) : HOCH2CH2O = HO2 + HCHO + HCHO ;
 % KROPRIM*O2 : HOCH2CH2O = HO2 + HOCH2CHO ;
 % 1.45D-11 : ETHGLY + OH = HOCH2CHO + HO2 ;
 % KAPHO2*0.15 : HOC2H4CO3 + HO2 = HOC2H4CO2H + O3 ;
 % KAPHO2*0.41 : HOC2H4CO3 + HO2 = HOC2H4CO3H ;
 % KAPHO2*0.44 : HOC2H4CO3 + HO2 = HOCH2CH2O2 + OH ;
 % KAPNO : HOC2H4CO3 + NO = HOCH2CH2O2 + NO2 ;
 % KFPAN : HOC2H4CO3 + NO2 = C3PAN1 ;
 % KRO2NO3*1.74 : HOC2H4CO3 + NO3 = HOCH2CH2O2 + NO2 ;
 % 1.00D-11*0.3*RO2 : HOC2H4CO3 = HOC2H4CO2H ;
 % 1.00D-11*0.7*RO2 : HOC2H4CO3 = HOCH2CH2O2 ;
 % J<15> : CO23C4CHO = BIACETO2 + HO2 + CO ;
 % J<35> : CO23C4CHO = CH3CO3 + HCOCH2CO3 ;
 % KNO3AL*5.5 : NO3 + CO23C4CHO = CO23C4CO3 + HNO3 ;
 % 6.65D-11 : OH + CO23C4CHO = CO23C4CO3 ;
 % 2.73D-12 : HOCH2CO2H + OH = HCHO + HO2 ;
 % 6.19D-12 : HOCH2CO3H + OH = HOCH2CO3 ;
 % J<41> : HOCH2CO3H = HCHO + HO2 + OH ;
 % 1.12D-12 : PHAN + OH = HCHO + CO + NO2 ;
 % KBPAN : PHAN = HOCH2CO3 + NO2 ;
 % KAPHO2*0.15 : HCOCO3 + HO2 = HCOCO2H + O3 ;
 % KAPHO2*0.41 : HCOCO3 + HO2 = HCOCO3H ;
 % KAPHO2*0.44 : HCOCO3 + HO2 = HO2 + CO + OH ;
 % KAPNO : HCOCO3 + NO = HO2 + CO + NO2 ;
 % KFPAN : HCOCO3 + NO2 = GLYPAN ;
 % KRO2NO3*1.74 : HCOCO3 + NO3 = HO2 + CO + NO2 ;
 % 1.00D-11*0.7*RO2 : HCOCO3 = CO + HO2 ;
 % 1.00D-11*0.3*RO2 : HCOCO3 = HCOCO2H ;
 % 4.5D-13 : HCOOH + OH = HO2 ;
 % 1.4D-11 : IBUTALOH + OH = IPRHOCO3 ;
 % J<17> : IBUTALOH = CH3COCH3 + HO2 + HO2 + CO ;
 % 1D-12 : NOA + OH = MGLYOX + NO2 ;
 % J<57> : NOA = CH3CO3 + HCHO + NO2 ;
 % J<56> : NOA = CH3COCH2O + NO2 ;
 % KAPHO2*0.56 : CHOMOHCO3 + HO2 = CHOMOHCO3H ;
 % KAPHO2*0.44 : CHOMOHCO3 + HO2 = MGLYOX + HO2 + OH ;
 % KAPNO : CHOMOHCO3 + NO = MGLYOX + NO2 + HO2 ;
 % KFPAN : CHOMOHCO3 + NO2 = CHOMOHPAN ;
 % KRO2NO3*1.74 : CHOMOHCO3 + NO3 = MGLYOX + NO2 + HO2 ;
 % 1.00D-11*RO2 : CHOMOHCO3 = MGLYOX + HO2 ;
 % KAPHO2*0.44 : CO2C3CO3 + HO2 = CH3COCH2O2 + OH ;
 % KAPHO2*0.56 : CO2C3CO3 + HO2 = CO2C3CO3H ;
 % KAPNO : CO2C3CO3 + NO = CH3COCH2O2 + NO2 ;
 % KFPAN : CO2C3CO3 + NO2 = CO2C3PAN ;
 % KRO2NO3*1.74 : CO2C3CO3 + NO3 = CH3COCH2O2 + NO2 ;
 % 1.00D-11*RO2 : CO2C3CO3 = CH3COCH2O2 ;
 % KAPHO2*0.15 : HO2C3CO3 + HO2 = HO2C3CO2H + O3 ;
 % KAPHO2*0.41 : HO2C3CO3 + HO2 = HO2C3CO3H ;
 % KAPHO2*0.44 : HO2C3CO3 + HO2 = IPROPOLO2 + OH ;
 % KAPNO : HO2C3CO3 + NO = IPROPOLO2 + NO2 ;
 % KFPAN : HO2C3CO3 + NO2 = C4PAN3 ;
 % KRO2NO3*1.74 : HO2C3CO3 + NO3 = IPROPOLO2 + NO2 ;
 % 1.00D-11*0.3*RO2 : HO2C3CO3 = HO2C3CO3H ;

% 1.00D-11*0.7*RO2 : HO2C3CO3 = IPROPOLO2 ;
 % 1.90D-12*EXP(190/TEMP) : ETHO2HNO3 + OH = ETHENO3O2 ;
 % 1.62D-12 : ETHO2HNO3 + OH = NO3CH2CHO + OH ;
 % J<41> : ETHO2HNO3 = ETHENO3O + OH ;
 % 7.00D+03 : ETHENO3O = NO2 + HCHO + HCHO ;
 % KROPRIM*O2 : ETHENO3O = NO3CH2CHO + HO2 ;
 % KNO3AL : NO3CH2CHO + NO3 = NO3CH2CO3 + HNO3 ;
 % 3.40D-12 : NO3CH2CHO + OH = NO3CH2CO3 ;
 % J<57> : NO3CH2CHO = HO2 + CO + HCHO + NO2 ;
 % J<56> : NO3CH2CHO = NO2 + HCOCH2O ;
 % KRO2HO2*0.625 : HO1C4O2 + HO2 = HO1C4OOH ;
 % KRO2NO*0.013 : HO1C4O2 + NO = HO1C4NO3 ;
 % KRO2NO*0.987 : HO1C4O2 + NO = HO1C4O + NO2 ;
 % KRO2NO3 : HO1C4O2 + NO3 = HO1C4O + NO2 ;
 % 1.30D-12*0.6*RO2 : HO1C4O2 = HO1C4O ;
 % 1.30D-12*0.2*RO2 : HO1C4O2 = HOC3H6CHO ;
 % 1.30D-12*0.2*RO2 : HO1C4O2 = HOC4H8OH ;
 % KRO2HO2*0.625 : NBUTOLAO2 + HO2 = NBUTOLAOOH ;
 % KRO2NO*0.042 : NBUTOLAO2 + NO = NBUTOLANO3 ;
 % KRO2NO*0.958 : NBUTOLAO2 + NO = NBUTOLAO + NO2 ;
 % KRO2NO3 : NBUTOLAO2 + NO3 = NBUTOLAO + NO2 ;
 % 8.80D-13*0.2*RO2 : NBUTOLAO2 = MEKCOH ;
 % 8.80D-13*0.6*RO2 : NBUTOLAO2 = NBUTOLAO ;
 % 8.80D-13*0.2*RO2 : NBUTOLAO2 = NBUTOLAOH ;
 % KRO2HO2*0.625 : NBUTOLBO2 + HO2 = NBUTOLBOOH ;
 % KRO2NO*0.083 : NBUTOLBO2 + NO = NBUTOLBNO3 ;
 % KRO2NO*0.917 : NBUTOLBO2 + NO = NBUTOLBO + NO2 ;
 % KRO2NO3 : NBUTOLBO2 + NO3 = NBUTOLBO + NO2 ;
 % 8.80D-13*0.2*RO2 : NBUTOLBO2 = HO2C4OH ;
 % 8.80D-13*0.2*RO2 : NBUTOLBO2 = MEKAOH ;
 % 8.80D-13*0.6*RO2 : NBUTOLBO2 = NBUTOLBO ;
 % J<41> : HO1C3OOH = HO1C3O + OH ;
 % 1.90D-12*EXP(190/TEMP) : OH + HO1C3OOH = HO1C3O2 ;
 % 1.52D-11 : OH + HO1C3OOH = HOC2H4CHO + OH ;
 % J<53> : HO1C3NO3 = HO1C3O + NO2 ;
 % 4.44D-12 : OH + HO1C3NO3 = HOC2H4CHO + NO2 ;
 % KROPRIM*O2 : HO1C3O = HOC2H4CHO + HO2 ;
 % J<15> : HOC2H4CHO = HOCH2CH2O2 + HO2 + CO ;
 % KNO3AL*2.4 : NO3 + HOC2H4CHO = HOC2H4CO3 + HNO3 ;
 % 3.06D-11 : OH + HOC2H4CHO = HOC2H4CO3 ;
 % 9.73D-12 : OH + HOC3H6OH = HOC2H4CHO + HO2 ;
 % 1.83D-11 : IPROPOLO2H + OH = CH3CHOHCHO + OH ;
 % 1.90D-12*EXP(190/TEMP) : IPROPOLO2H + OH = IPROPOLO2 ;
 % J<41> : IPROPOLO2H = IPROPOLO + OH ;
 % 2.00D+14*EXP(-5505/TEMP) : IPROPOLO = CH3CHO + HCHO + HO2 ;
 % 1.71D-12 : PROLNO3 + OH = CH3CHOHCHO + NO2 ;
 % 1.46D-11 : OH + HOIPRCO2H = HYPROPO2 ;
 % J<41> : HOIPRCO3H = HYPROPO2 + OH ;
 % 1.82D-11 : OH + HOIPRCO3H = HOIPRCO3 ;
 % KBPAN : C4PAN4 = HOIPRCO3 + NO2 ;
 % 1.45D-11 : OH + C4PAN4 = ACETOL + CO + NO2 ;
 % KAPHO2*0.44 : IBUDIALCO3 + HO2 = PROPALO2 + OH ;
 % KAPHO2*0.15 : IBUDIALCO3 + HO2 = PRPAL2CO2H + O3 ;
 % KAPHO2*0.41 : IBUDIALCO3 + HO2 = PRPAL2CO3H ;
 % KAPNO : IBUDIALCO3 + NO = PROPALO2 + NO2 ;

% KFPAN : IBUDIALCO3 + NO2 = IBUDIALPAN ;
 % KRO2NO3*1.74 : IBUDIALCO3 + NO3 = PROPALO2 + NO2 ;
 % 1.00D-11*0.7*RO2 : IBUDIALCO3 = PROPALO2 ;
 % 1.00D-11*0.3*RO2 : IBUDIALCO3 = PRPAL2CO2H ;
 % KAPHO2*0.56 : C23C54CO3 + HO2 = C23C54CO3H ;
 % KAPHO2*0.44 : C23C54CO3 + HO2 = CO23C54O2 + OH ;
 % KAPNO : C23C54CO3 + NO = CO23C54O2 + NO2 ;
 % KFPAN : C23C54CO3 + NO2 = C6PAN7 ;
 % KRO2NO3 : C23C54CO3 + NO3 = CO23C54O2 + NO2 ;
 % 1.00D-11*RO2 : C23C54CO3 = CO23C54O2 ;
 % KAPHO2*0.44 : CH3CHOHCO3 + HO2 = CH3CHO + HO2 + OH ;
 % KAPHO2*0.56 : CH3CHOHCO3 + HO2 = IPROPOLPER ;
 % KAPNO : CH3CHOHCO3 + NO = CH3CHO + HO2 + NO2 ;
 % KFPAN : CH3CHOHCO3 + NO2 = IPROPOLPAN ;
 % KRO2NO3*1.74 : CH3CHOHCO3 + NO3 = CH3CHO + HO2 + NO2 ;
 % 1.00D-11*RO2 : CH3CHOHCO3 = CH3CHO + HO2 ;
 % 1.39D-11 : OH + HOC2H4CO2H = HOCH2CH2O2 ;
 % J<41> : HOC2H4CO3H = HOCH2CH2O2 + OH ;
 % 1.73D-11 : OH + HOC2H4CO3H = HOC2H4CO3 ;
 % KBPAN : C3PAN1 = HOC2H4CO3 + NO2 ;
 % 4.51D-12 : OH + C3PAN1 = HOCH2CHO + CO + NO2 ;
 % KRO2HO2*0.625 : BIACETO2 + HO2 = BIACETO2OH ;
 % KRO2NO : BIACETO2 + NO = BIACETO + NO2 ;
 % KRO2NO3 : BIACETO2 + NO3 = BIACETO + NO2 ;
 % 2.00D-12*0.6*RO2 : BIACETO2 = BIACETO ;
 % 2.00D-12*0.2*RO2 : BIACETO2 = BIACETOH ;
 % 2.00D-12*0.2*RO2 : BIACETO2 = CO23C3CHO ;
 % KAPHO2*0.15 : HCOCH2CO3 + HO2 = HCOCH2CO2H + O3 ;
 % KAPHO2*0.41 : HCOCH2CO3 + HO2 = HCOCH2CO3H ;
 % KAPHO2*0.44 : HCOCH2CO3 + HO2 = HCOCH2O2 + OH ;
 % KAPNO : HCOCH2CO3 + NO = HCOCH2O2 + NO2 ;
 % KFPAN : HCOCH2CO3 + NO2 = C3PAN2 ;
 % KRO2NO3*1.74 : HCOCH2CO3 + NO3 = HCOCH2O2 + NO2 ;
 % 1.00D-11*0.3*RO2 : HCOCH2CO3 = HCOCH2CO2H ;
 % 1.00D-11*0.7*RO2 : HCOCH2CO3 = HCOCH2O2 ;
 % KAPHO2*0.44 : CO23C4CO3 + HO2 = BIACETO2 + OH ;
 % KAPHO2*0.56 : CO23C4CO3 + HO2 = CO23C4CO3H ;
 % KAPNO : CO23C4CO3 + NO = BIACETO2 + NO2 ;
 % KFPAN : CO23C4CO3 + NO2 = C5PAN9 ;
 % KRO2NO3*1.74 : CO23C4CO3 + NO3 = BIACETO2 + NO2 ;
 % 1.00D-11*RO2 : CO23C4CO3 = BIACETO2 ;
 % J<34> : HCOCO2H = HO2 + HO2 + CO ;
 % 1.23D-11 : OH + HCOCO2H = CO + HO2 ;
 % J<41> : HCOCO3H = HO2 + CO + OH ;
 % J<15> : HCOCO3H = HO2 + CO + OH ;
 % 1.58D-11 : OH + HCOCO3H = HCOCO3 ;
 % KBPAN : GLYPAN = HCOCO3 + NO2 ;
 % 1.22D-11 : OH + GLYPAN = CO + CO + NO2 ;
 % KAPHO2*0.44 : IPRHOCO3 + HO2 = CH3COCH3 + HO2 + OH ;
 % KAPHO2*0.15 : IPRHOCO3 + HO2 = IPRHOCO2H + O3 ;
 % KAPHO2*0.41 : IPRHOCO3 + HO2 = IPRHOCO3H ;
 % KAPNO : IPRHOCO3 + NO = CH3COCH3 + HO2 + NO2 ;
 % KFPAN : IPRHOCO3 + NO2 = C4PAN5 ;
 % KRO2NO3*1.74 : IPRHOCO3 + NO3 = CH3COCH3 + HO2 + NO2 ;
 % 1.00D-11*RO2*0.7 : IPRHOCO3 = CH3COCH3 + HO2 ;

% 1.00D-11*RO2*0.3 : IPRHOCO3 = IPRHOCO2H ;
 % 6.99D-11 : CHOMOHCO3H + OH = CHOMOHCO3 ;
 % J<41> : CHOMOHCO3H = MGLYOX + OH + HO2 ;
 % J<17> : CHOMOHCO3H = MGLYOX + OH + HO2 ;
 % 6.64D-11 : CHOMOHPAN + OH = MGLYOX + CO + NO2 ;
 % KBPAN : CHOMOHPAN = CHOMOHCO3 + NO2 ;
 % 4.18D-12 : CO2C3CO3H + OH = CO2C3CO3 ;
 % J<41> : CO2C3CO3H = CH3COCH2O2 + OH ;
 % J<22> : CO2C3CO3H = CH3COCH2O2 + OH ;
 % 5.93D-13 : CO2C3PAN + OH = MGLYOX + CO + NO2 ;
 % KBPAN : CO2C3PAN = CO2C3CO3 + NO2 ;
 % 2.78D-11 : OH + HO2C3CO2H = IPROPOLO2 ;
 % J<41> : HO2C3CO3H = IPROPOLO2 + OH ;
 % 3.12D-11 : OH + HO2C3CO3H = HO2C3CO3 ;
 % KBPAN : C4PAN3 = HO2C3CO3 + NO2 ;
 % 9.00D-12 : OH + C4PAN3 = CH3CHOHCHO + CO + NO2 ;
 % KAPHO2*0.44 : NO3CH2CO3 + HO2 = HCHO + NO2 + OH ;
 % KAPHO2*0.15 : NO3CH2CO3 + HO2 = NO3CH2CO2H + O3 ;
 % KAPHO2*0.41 : NO3CH2CO3 + HO2 = NO3CH2CO3H ;
 % KAPNO : NO3CH2CO3 + NO = HCHO + NO2 + NO2 ;
 % KFPAN : NO3CH2CO3 + NO2 = NO3CH2PAN ;
 % KRO2NO3*1.74 : NO3CH2CO3 + NO3 = HCHO + NO2 + NO2 ;
 % 1.00D-11*0.7*RO2 : NO3CH2CO3 = HCHO + NO2 ;
 % 1.00D-11*0.3*RO2 : NO3CH2CO3 = NO3CH2CO2H ;
 % J<41> : HO1C4OOH = HO1C4O + OH ;
 % 1.90D-12*EXP(190/TEMP) : OH + HO1C4OOH = HO1C4O2 ;
 % 1.66D-11 : OH + HO1C4OOH = HOC3H6CHO + OH ;
 % J<53> : HO1C4NO3 = HO1C4O + NO2 ;
 % 5.85D-12 : OH + HO1C4NO3 = HOC3H6CHO + NO2 ;
 % 8.74D+11*EXP(-3430/TEMP) : HO1C4O = HOC3H6CHO + HO2 ;
 % J<15> : HOC3H6CHO = HO1C3O2 + HO2 + CO ;
 % KNO3AL*4.0 : NO3 + HOC3H6CHO = HOC3H6CO3 + HNO3 ;
 % 2.64D-11 : OH + HOC3H6CHO = HOC3H6CO3 ;
 % 1.11D-11 : OH + HOC4H8OH = HOC3H6CHO + HO2 ;
 % 3.01D-11 : NBUTOLAOOH + OH = MEKCOH + OH ;
 % 1.90D-12*EXP(190/TEMP) : NBUTOLAOOH + OH = NBUTOLAO2 ;
 % J<41> : NBUTOLAOOH = NBUTOLAO + OH ;
 % 1.27D-12 : NBUTOLANO3 + OH = MEKCOH + NO2 ;
 % 2.00D+14*EXP(-6354/TEMP) : NBUTOLAO = C2H5CHO + HCHO + HO2 ;
 % 1.59D-11 : NBUTOLAOH + OH = MEKCOH + HO2 ;
 % 2.58D-11 : NBUTOLBOOH + OH = MEKAOH + OH ;
 % 1.90D-12*EXP(190/TEMP) : NBUTOLBOOH + OH = NBUTOLBO2 ;
 % J<41> : NBUTOLBOOH = NBUTOLBO + OH ;
 % 4.51D-12 : NBUTOLBNO3 + OH = MEKAOH + NO2 ;
 % J<54> : NBUTOLBNO3 = NBUTOLBO + NO2 ;
 % 2.70D+14*EXP(-7398/TEMP) : NBUTOLBO = CH3CHO + HOCH2CH2O2 ;
 % KROSEC*O2 : NBUTOLBO = MEKAOH + HO2 ;
 % 1.42D-11 : OH + HO2C4OH = MEKAOH + HO2 ;
 % 1.35D-11 : MEKAOH + OH = CO2C3CHO + HO2 ;
 % J<22> : MEKAOH = HOCH2CH2O2 + CH3CO3 ;
 % KRO2HO2*0.520 : PROPALO2 + HO2 = PROPALOOH ;
 % KRO2NO : PROPALO2 + NO = PROPALO + NO2 ;
 % KRO2NO3 : PROPALO2 + NO3 = PROPALO + NO2 ;
 % 2.00D-12*0.2*RO2 : PROPALO2 = CH3CHOHCHO ;
 % 2.00D-12*0.2*RO2 : PROPALO2 = MGLYOX ;

% 2.00D-12*0.6*RO2 : PROPALO2 = PROPALO ;
 % 7.29D-11 : PRPAL2CO2H + OH = PROPALO2 ;
 % J<17> : PRPAL2CO2H = PROPALO2 + HO2 ;
 % 7.65D-11 : PRPAL2CO3H + OH = IBUDIALCO3 ;
 % J<41> : PRPAL2CO3H = PROPALO2 + OH ;
 % J<17> : PRPAL2CO3H = PROPALO2 + OH ;
 % 7.29D-11 : IBUDIALPAN + OH = MGLYOX + CO + NO2 ;
 % KBPAN : IBUDIALPAN = IBUDIALCO3 + NO2 ;
 % J<41> : C23C54CO3H = CO23C54O2 + OH ;
 % 5.32D-12 : OH + C23C54CO3H = C23C54CO3 ;
 % KBPAN : C6PAN7 = C23C54CO3 + NO2 ;
 % 1.07D-12 : OH + C6PAN7 = C5CO234 + CO + NO2 ;
 % 9.34D-12 : IPROPOLPER + OH = CH3CHOHCO3 ;
 % J<41> : IPROPOLPER = CH3CHO + HO2 + OH ;
 % 2.34D-12 : IPROPOLPAN + OH = CH3CHO + CO + NO2 ;
 % KBPAN : IPROPOLPAN = CH3CHOHCO3 + NO2 ;
 % J<41> : BIACETOOH = BIACETO + OH ;
 % J<35> : BIACETOOH = BIACETO + OH ;
 % 1.90D-12*EXP(190/TEMP) : OH + BIACETOOH = BIACETO2 ;
 % 5.99D-12 : OH + BIACETOOH = CO23C3CHO + OH ;
 % KDEC : BIACETO = CH3CO3 + HCHO + CO ;
 % J<35> : BIACETOH = CH3CO3 + HOCH2CO3 ;
 % 2.69D-12 : OH + BIACETOH = CO23C3CHO + HO2 ;
 % J<34> : CO23C3CHO = CH3CO3 + CO + CO + HO2 ;
 % J<35> : CO23C3CHO = CH3CO3 + HCOCO3 ;
 % KNO3AL*4.0 : NO3 + CO23C3CHO = CH3CO3 + CO + CO + HNO3 ;
 % 1.23D-11 : OH + CO23C3CHO = CH3CO3 + CO + CO ;
 % J<15> : HCOCH2CO2H = HCOCH2O2 + HO2 ;
 % 2.14D-11 : OH + HCOCH2CO2H = HCOCH2O2 ;
 % J<41> : HCOCH2CO3H = HCOCH2O2 + OH ;
 % J<15> : HCOCH2CO3H = HCOCH2O2 + OH ;
 % 2.49D-11 : OH + HCOCH2CO3H = HCOCH2CO3 ;
 % KBPAN : C3PAN2 = HCOCH2CO3 + NO2 ;
 % 2.10D-11 : OH + C3PAN2 = GLYOX + CO + NO2 ;
 % J<41> : CO23C4CO3H = BIACETO2 + OH ;
 % J<15> : CO23C4CO3H = BIACETO2 + OH ;
 % 4.23D-12 : OH + CO23C4CO3H = CO23C4CO3 ;
 % KBPAN : C5PAN9 = CO23C4CO3 + NO2 ;
 % 3.12D-13 : OH + C5PAN9 = CO23C3CHO + CO + NO2 ;
 % 1.72D-12 : IPRHOCO2H + OH = CH3COCH3 + HO2 ;
 % J<41> : IPRHOCO3H = CH3COCH3 + HO2 + OH ;
 % 4.80D-12 : OH + IPRHOCO3H = IPRHOCO3 ;
 % KBPAN : C4PAN5 = IPRHOCO3 + NO2 ;
 % 4.75D-13 : OH + C4PAN5 = CH3COCH3 + CO + NO2 ;
 % 1.68D-13 : NO3CH2CO2H + OH = HCHO + NO2 ;
 % 3.63D-12 : NO3CH2CO3H + OH = NO3CH2CO3 ;
 % J<41> : NO3CH2CO3H = HCHO + NO2 + OH ;
 % 1.12D-14 : NO3CH2PAN + OH = HCHO + CO + NO2 + NO2 ;
 % KBPAN : NO3CH2PAN = NO3CH2CO3 + NO2 ;
 % KAPHO2*0.44 : HOC3H6CO3 + HO2 = HO1C3O2 + OH ;
 % KAPHO2*0.15 : HOC3H6CO3 + HO2 = HOC3H6CO2H + O3 ;
 % KAPHO2*0.41 : HOC3H6CO3 + HO2 = HOC3H6CO3H ;
 % KAPNO*4.0 : HOC3H6CO3 + NO = HO1C3O2 + NO2 ;
 % KFPAN : HOC3H6CO3 + NO2 = C4PAN1 ;
 % KRO2NO3*1.74 : HOC3H6CO3 + NO3 = HO1C3O2 + NO2 ;

% 1.00D-11*0.7*RO2 : HOC3H6CO3 = HO1C3O2 ;
 % 1.00D-11*0.3*RO2 : HOC3H6CO3 = HOC3H6CO2H ;
 % 4.31D-11 : PROPALOOH + OH = MGLYOX + OH ;
 % J<15> : PROPALOOH = HO2 + CO + CH3CHO + OH ;
 % J<41> : PROPALOOH = PROPALO + OH ;
 % KDEC : PROPALO = CH3CHO + HO2 + CO ;
 % 2.04D-13 : C5CO234 + OH = C5CO234O2 ;
 % J<35> : C5CO234 = CH3CO3 + CH3CO3 + CO ;
 % 9.64D-12 : OH + HOC3H6CO2H = HO1C3O2 ;
 % J<41> : HOC3H6CO3H = HO1C3O2 + OH ;
 % 1.31D-11 : OH + HOC3H6CO3H = HOC3H6CO3 ;
 % KBPAN : C4PAN1 = HOC3H6CO3 + NO2 ;
 % 5.92D-12 : OH + C4PAN1 = HOC2H4CHO + CO + NO2 ;
 % KRO2HO2*0.706 : C5CO234O2 + HO2 = C5CO234OOH ;
 % KRO2NO : C5CO234O2 + NO = C5CO234O + NO2 ;
 % KRO2NO3 : C5CO234O2 + NO3 = C5CO234O + NO2 ;
 % 2.00D-12*RO2 : C5CO234O2 = C5CO234O ;
 % 9.59D-12 : C5CO234OOH + OH = C5CO234O2 ;
 % J<41> : C5CO234OOH = C5CO234O + OH ;
 % J<35> : C5CO234OOH = C5CO234O + OH ;
 % KDEC : C5CO234O = CH3CO3 + HCHO + CO + CO ;
 * ;
 * added PAN, PPN, PiBN, HO2NO2 photolysis
 * ;
 % J<91> : PAN = CH3CO3 + NO2 ;
 % J<92> : PAN = CH3CO2 + NO3 ;
 % J<93> : PPN = C2H5CO3 + NO2 ;
 % J<94> : PPN = C2H5CO2 + NO3 ;
 % J<93> : PIPN = IPRCO3 + NO2 ;
 % J<94> : PIPN = IC3H7O2 + NO3 ;
 % J<95> : HO2NO2 = OH + NO3 ;
 % J<96> : HO2NO2 = HO2 + NO2 ;
 ;
 * End of Subset. No. of Species = 275, No. of Reactions = 872 ;